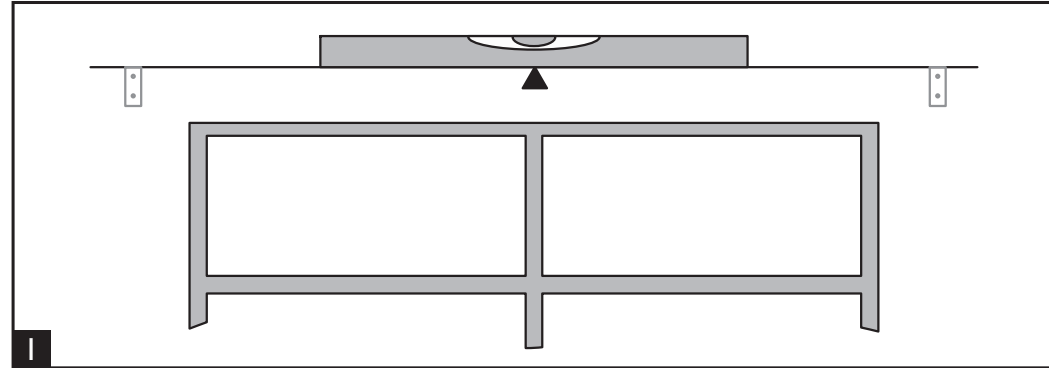
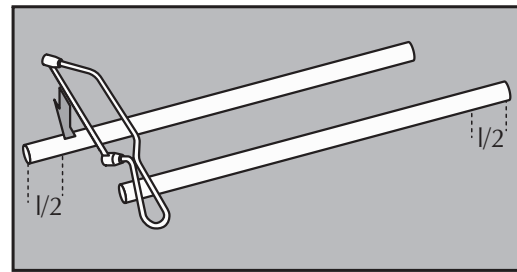
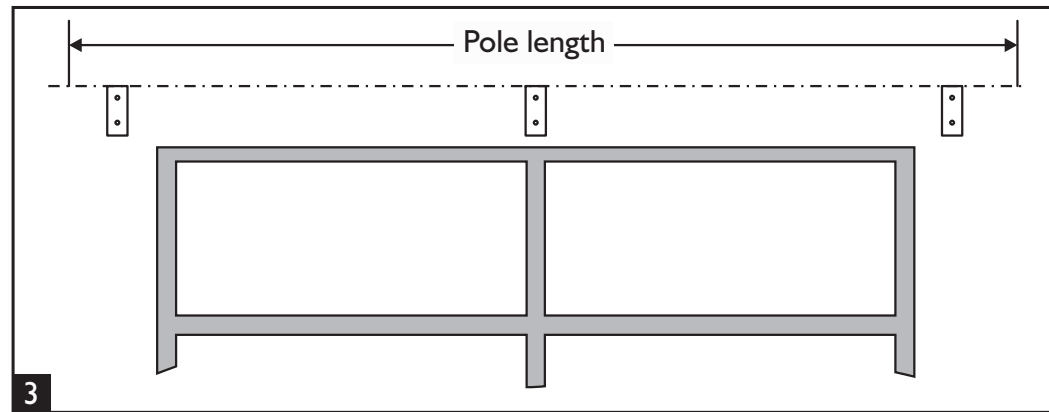
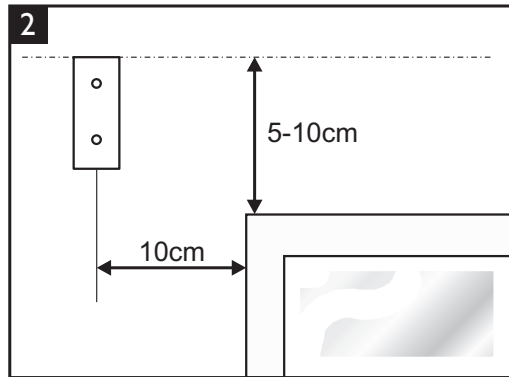


1. Preparing the window



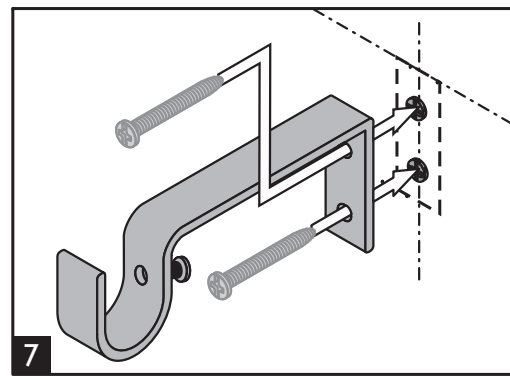
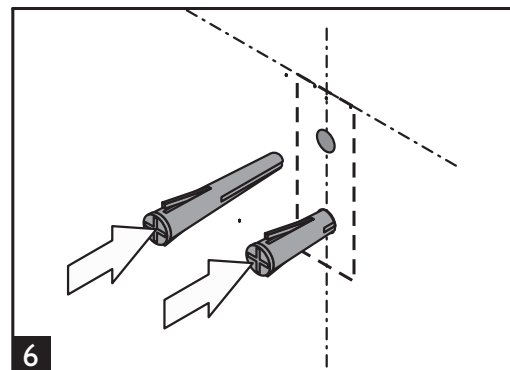
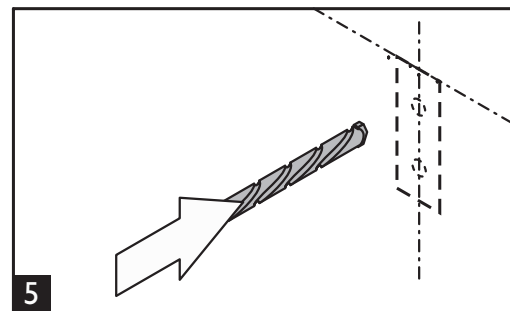
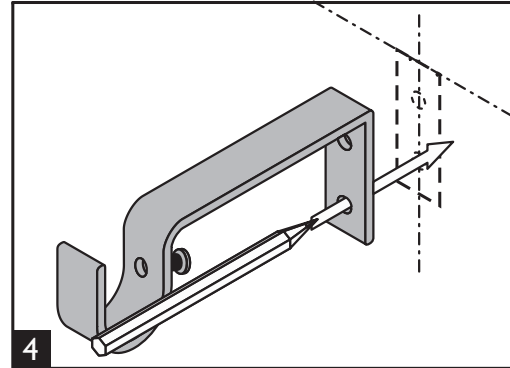
Use a spirit level to mark the top line of the brackets, Fig. 1. If you are mounting an additional intermediate bracket, space it evenly between the two outermost brackets.

Offer pole up to the window and centralise over width to determine correct length, Fig. 2. Remember to allow sufficient length either side to accommodate the curtains when opened and the finials when fitted.



If it is necessary to shorten the pole, use a hacksaw to cut to the length required. Where there are two poles cut equal amounts off each pole.

2. Fixing wall brackets



1. Position the brackets on the wall and mark the holes on the wall, Fig. 4.

2. Drill 2mm \varnothing pilot hole if mounting on to a wooden batten. If mounting directly on to a masonry or studded wall, Fig. 5, use the appropriate drill size (seek guidance from local builder's store if unsure).

3. If mounting directly onto a masonry or studded wall insert suitable wall plugs, Fig. 6.

4. Using the correct screws fix the brackets securely, Fig. 7. Alternative wall fixings should be used where necessary.

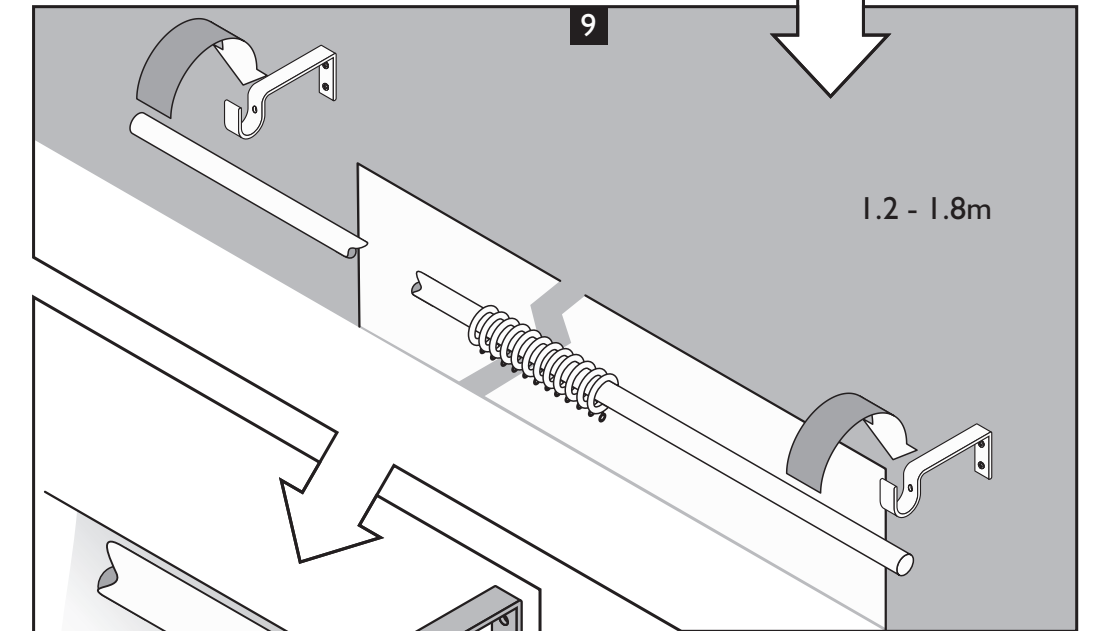
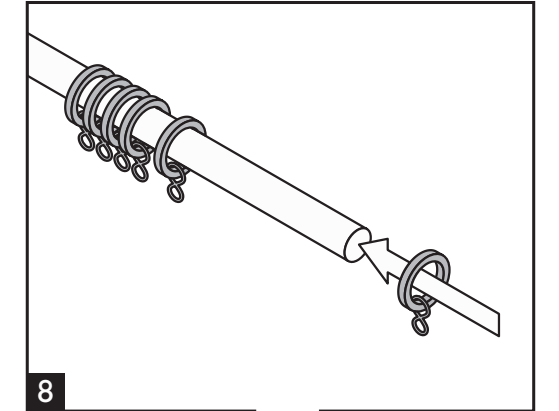
5. Repeat for all the brackets required.

Please ensure the correct wall plugs are used to suit your wall type.

3. Assembling a pole

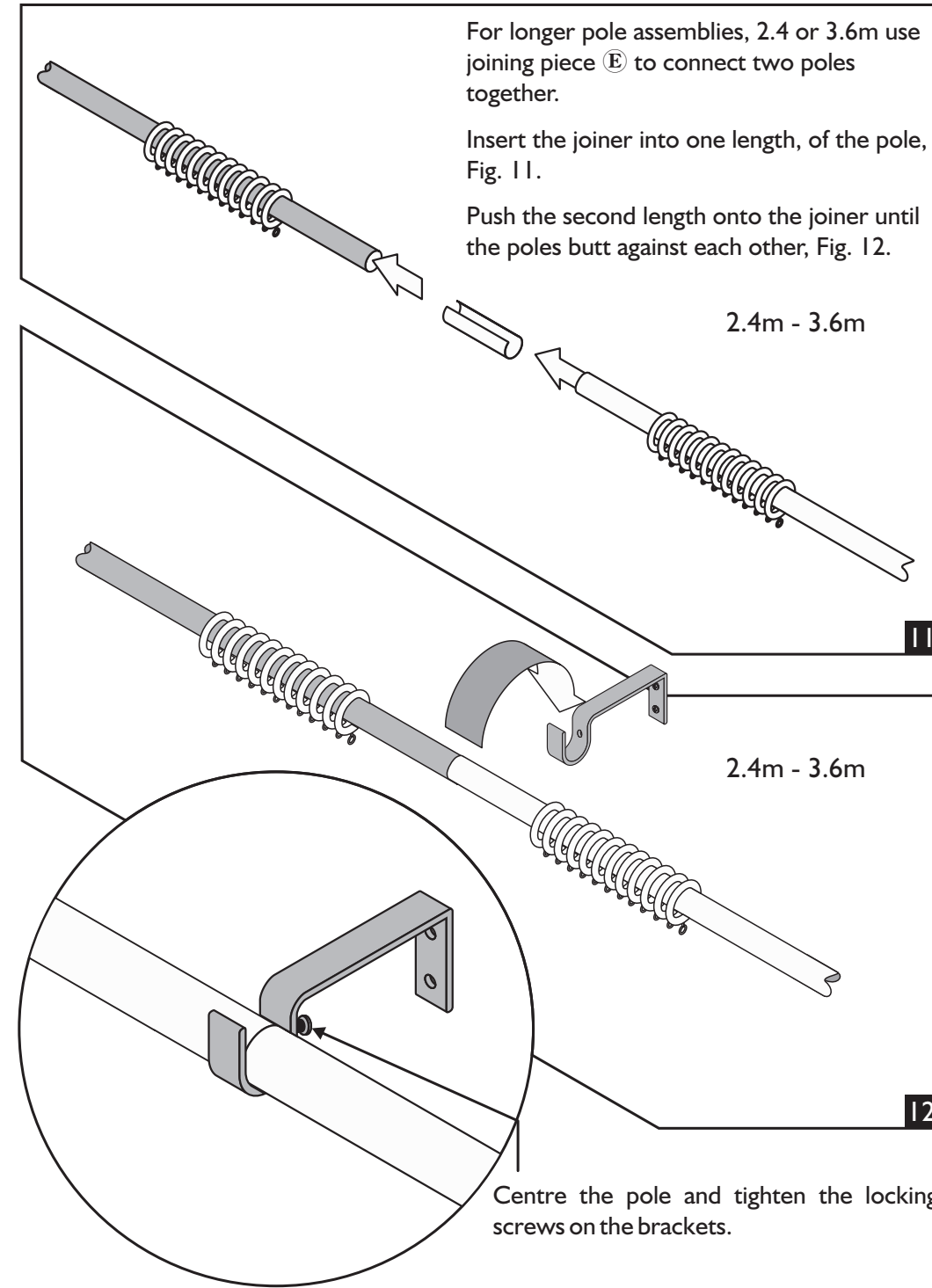
Slide the required number of curtain rings onto the pole Fig. 8. Remember to leave two rings aside to place between the end brackets and finials.

Drop the pole into the brackets and centralise over the window (Fig.9).



Centre the pole and tighten the locking screws on the brackets, Fig. 10.

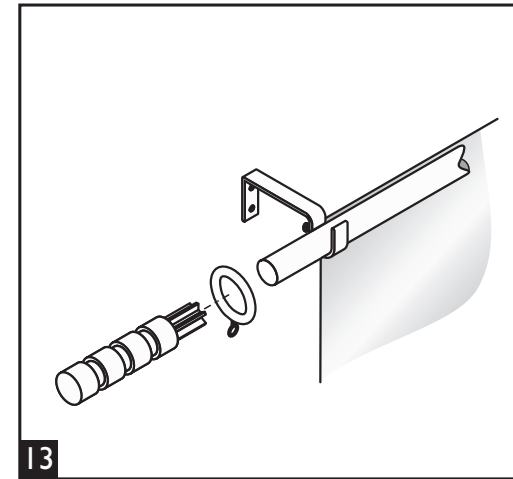
4. Joining two part Poles



5. Fitting Finials

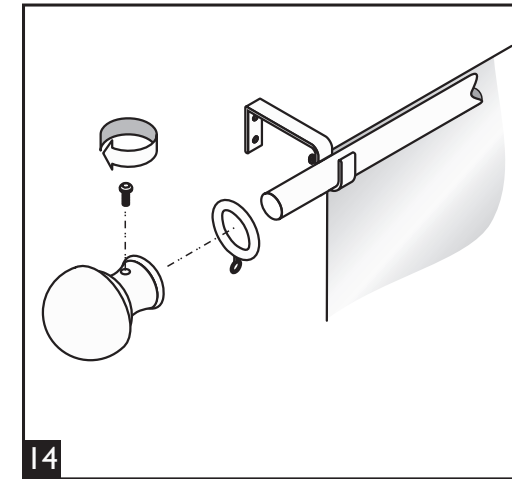
The following illustrations describe the two types of fitting, however the finials may differ slightly from those illustrated.

- Push in (Fig. 13) where the finial is inserted into the end of the pole.



Note: To ease with pushing finials into or on to the pole you may need to lubricate the pole or finial with some soap. You should wipe off any excess soap once the finial is mounted.

- Push and screw fix (Fig. 14). Mount the finials and tighten the locking screws.



Safety

- Only use a step ladder or stable chair to reach the fixing height.
- Do not over reach. Always move the stepladder or chair, so that you are in a safe working position.
- Do not hold or lean on the pole to support your weight.
- Use two people for the installation of longer poles.
- Take care when using power tools, use of a Residual Current Device (RCD) is recommended.
- Always wear eye protection when drilling.
- Beware of hidden pipe runs and cables.

integra Metal Curtain Pole

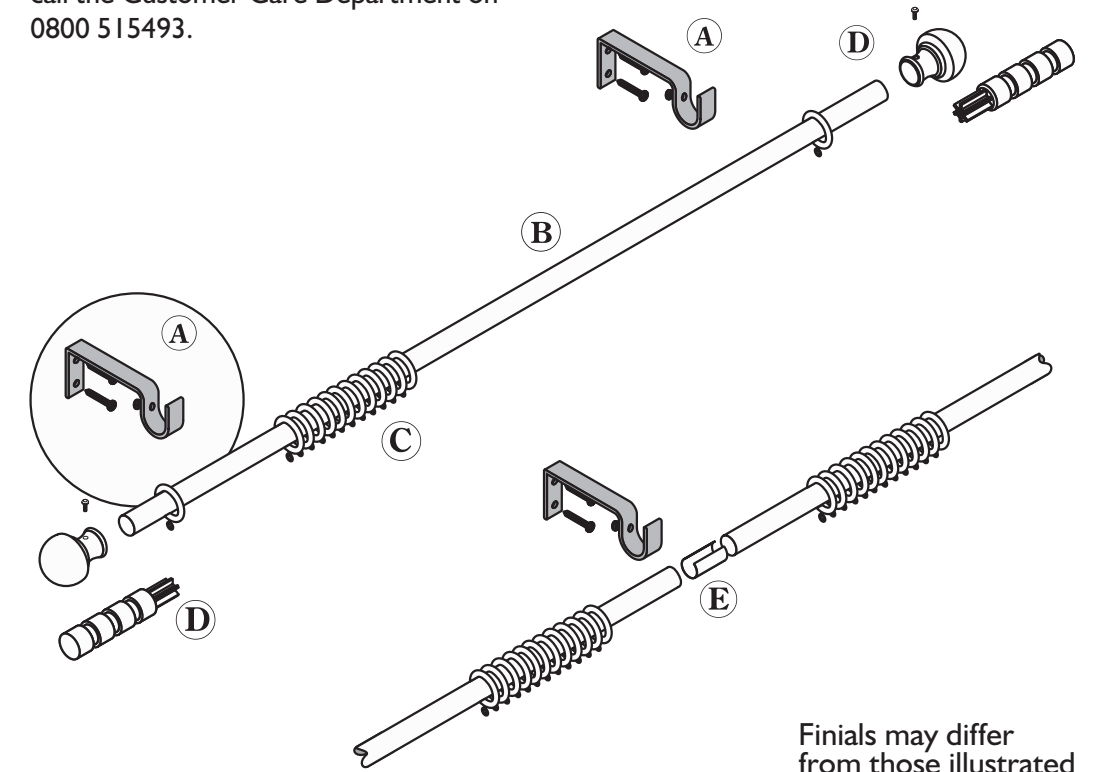
Fitting Instructions

Before fitting your curtain pole, please take care in reading these instructions and checking the contents of the pack against the table below.

Should any component be missing, please call the Customer Care Department on 0800 515493.

Tools required: Steel Tape measure, Soft Pencil, Posi-Drive Screw Driver, Spirit level, Drill and Drill bits, Hacksaw and file.

Please ensure the correct wall plugs are used to suit your wall type.



Finials may differ from those illustrated

Contents ▾	Lengths in m ▷	1.2	1.5	1.8	2.4	3.0	3.6
(A) Brackets		2	2	2	3	3	3
(B) Pole		1	1	1	2	2	2
(C) Rings		12	16	18	24	30	36
(D) Finials		2	2	2	2	2	2
(E) Joining Piece		-	-	-	1	1	1

L4421A