

# Fitting your roller blind

Note: These instructions can be used for roller and blackout blinds

Thank you for purchasing this product. Please read the instructions and warnings carefully beforehand to ensure safe and satisfactory use of this product. It is recommended that this blind should only be installed by persons competent in DIY.

## 1. Please check the contents

blind width	spindle side bracket	pulley side bracket	bracket covers	locking pin	chain pulley housing	spindle	roller blind	bottom bar	chain safety guide	6mm screws	wall plugs
60cm	1	2	2	2	1	1	1	1	1	5	5
90cm	1	2	2	2	1	1	1	1	1	5	5
120cm	1	2	2	2	1	1	1	1	1	5	5
150cm	1	2	2	2	1	1	1	1	1	5	5
180cm	1	2	2	2	1	1	1	1	1	5	5

## 2. Positioning the blind

Additional fixings other than those sent with your blind may be required depending on the mounting surface. Wallboard and plaster require the use of anchors such as expansion or toggle bolts. Brick, tile or stone need special plugs and drill bits. Remember to always pre-drill holes in wood to avoid splitting. If you need to reduce the width of the blind to fit, see 'Trimming the blind to size' instruction below.

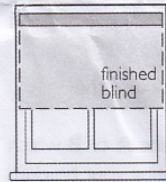
### Inside the recess

Decide the position of the blind so that it will be clear of any latches and fixtures.

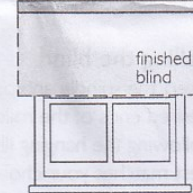
### Outside the recess

Decide the position of the blind so the overlaps on both sides of the recess are equal. It is advisable to allow a minimum of 51mm/2" clearance on each side and above the window recess.

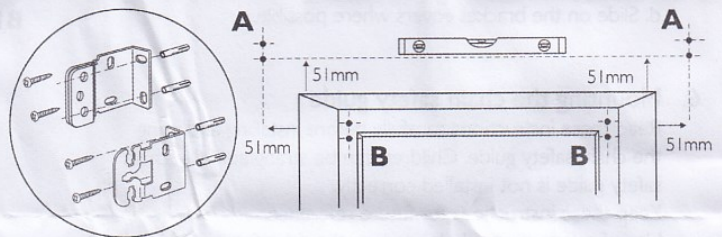
### 2 Inside the recess



### Outside the recess



## 3



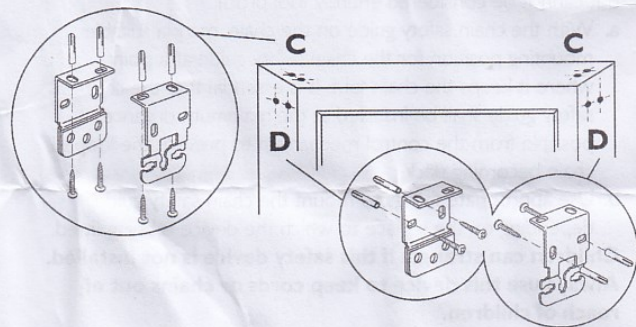
## 3. Fixing the brackets

Choose the mounting position for the blind, either inside or outside the recess.

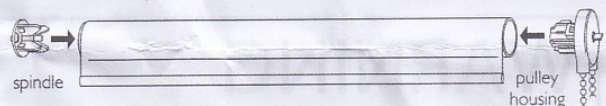
- Decide which side you wish the blind to operate from.
- Using the correct bracket for each end mark the position, **A, B** (wood frames only), **C** or **D** checking with a steel tape measure and spirit level that they are level.

Note: If mounting outside the recess allow a minimum of 51mm clearance on each side and above the window recess. Also if mounting as in position **D** the bracket covers can not be used.

- Using the correct fixings for your wall type, fix the brackets into place.



## 4

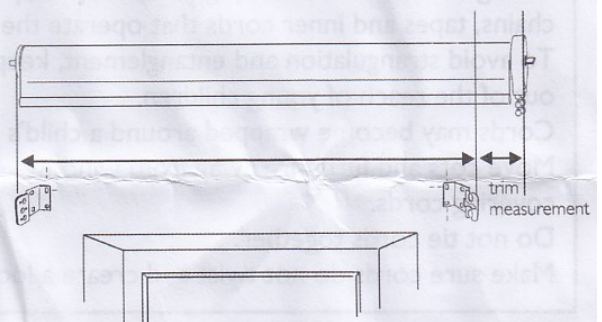


## 4. Trimming the blind to size

Tools required are a hacksaw, ruler, pencil and scissors.

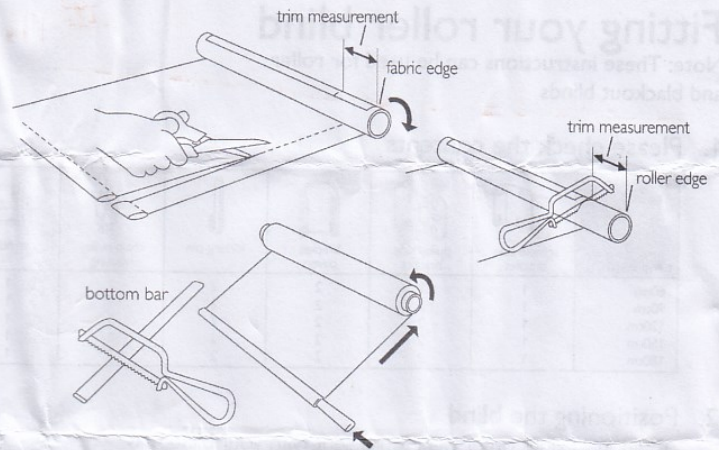
- Place the spindle and pulley housing into the roller blind.
- Measure the difference between the inner faces of the brackets and the end flat surfaces of the assembled blind.

**This will be your trim measurement.**



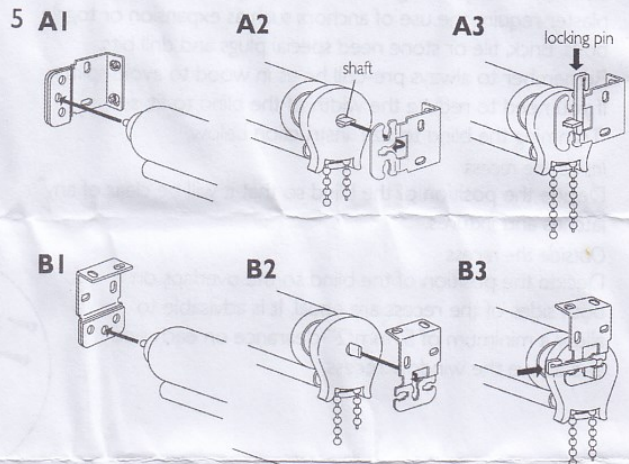
#### 4. Trimming the blind to size cont...

- Unroll the blind onto a smooth flat surface and remove the spindle, pulley housing and the bottom bar. Working from the fabric edge inward, mark a dotted line down the length of the fabric to the trim distance. Using a sharp pair of scissors, cut down the length of the fabric and peel off any excess fabric from the blind roller.
- Working from the roller edge, mark the trim distance and using a fine hacksaw cut the roller to size.
- Trim the bottom bar to the width of the fabric and insert back into the blind bottom pocket. Roll the blind up ready for fitting



#### 5. Installing the blind

- Insert the spindle and pulley housing back into the desired ends of the roller blind.
- Following the hanging illustrations opposite **A** or **B** which best matches your chosen way of mounting your brackets. Slide the spindle end of the blind into the bracket, position the pulley housing shaft in the correct alignment, and slide into the pulley housing bracket.
- Lock into place with the locking pin.
- Slide on the bracket covers where possible.



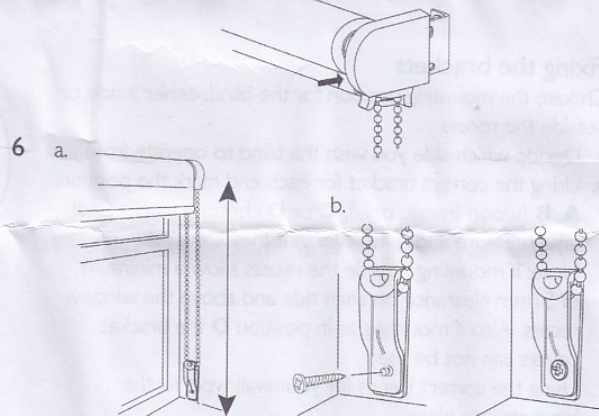
#### 6. Mounting the chain safety guide

Read these instructions carefully before installing and using the chain safety guide. Children can be strangled if the chain safety guide is not installed correctly. Keep these instructions for future reference.

Use of safety devices helps reduce the risk of strangulation but cannot be considered entirely fool proof.

- With the chain safety guide on the chain, mark a suitable mounting position for the chain safety guide at a point where it keeps the chain taut. It is essential that the chain safety guide shall be installed at the maximum distance possible from the control mechanism to prevent the looped chain becoming slack.
- Use appropriate fixings to mount the chain safety guide, depending on the surface to which the device is being fitted.

**Children can strangle if this safety device is not installed. Always use this device to keep cords or chains out of reach of children.**



## WARNING

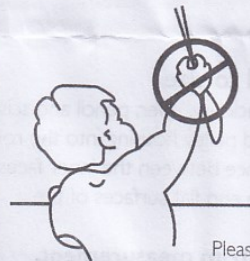
Young children can be strangled by loops in pull cords chains, tapes and inner cords that operate the product. To avoid strangulation and entanglement, keep cords out of the reach of young children.

Cords may become wrapped around a child's neck.

Move cots and furniture away from window covering cords.

Do not tie cords together.

Make sure cords do not twist and create a loop.



Please retain these instructions for future reference. Do not remove the traceable label attached to the blind bottom bar which is similar to below.

Proudly distributed by:  
**SPEEDY**  
products

Batch No:  
**118371**

Do not remove this label as required by law

LBB5175