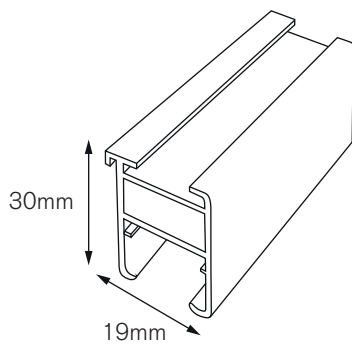


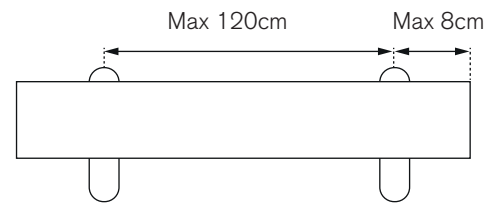
TRACK TECHNICAL DETAILS and FITTING INSTRUCTIONS

SYSTEM 30 STRAIGHT

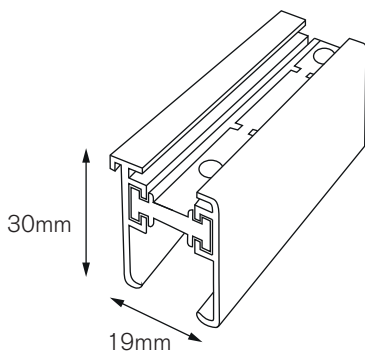


Top fix or face fix

BRACKET SPACING

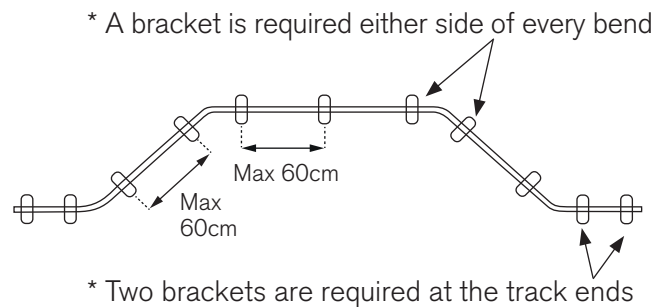


SYSTEM 30 BENDABLE



Top fix or face fix with brackets either side of every bend, max spacing 60cm

BRACKET SPACING

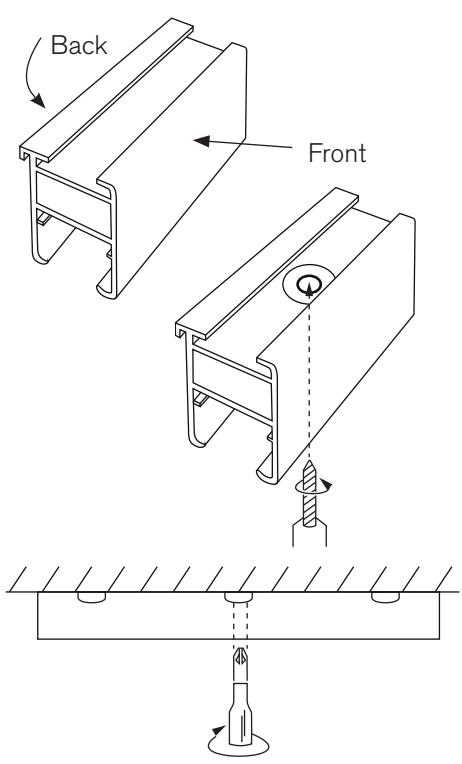


Sales: 0845 465 0101

e-mail: info@polesandblinds.com

www.polesandblinds.com

SYSTEM 30 STRAIGHT



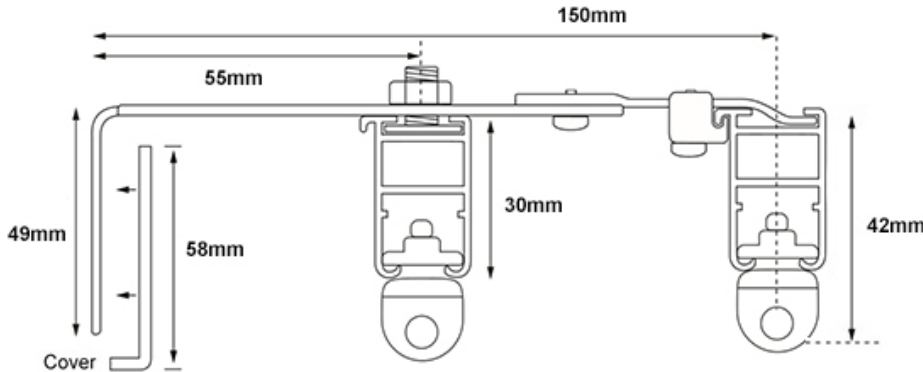
TOP FIXING

Fit track directly to ceiling or top board, using pre-drilled holes

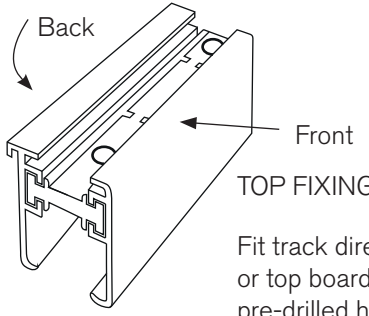
For additional support simply drill more holes into each track using a 4mm drill bit (not supplied)

No brackets required

WALL FIXING BRACKETS



SYSTEM 30 BENDABLE



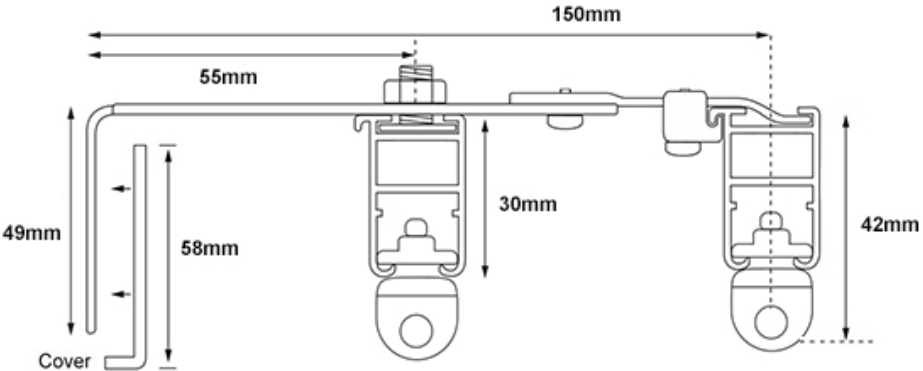
TOP FIXING

Fit track directly to ceiling or top board, using pre-drilled holes

No brackets required

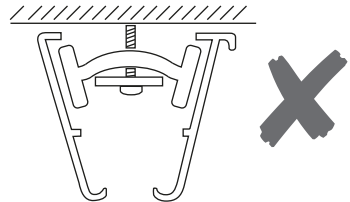
Use pre-drilled holes

WALL FIXING BRACKETS



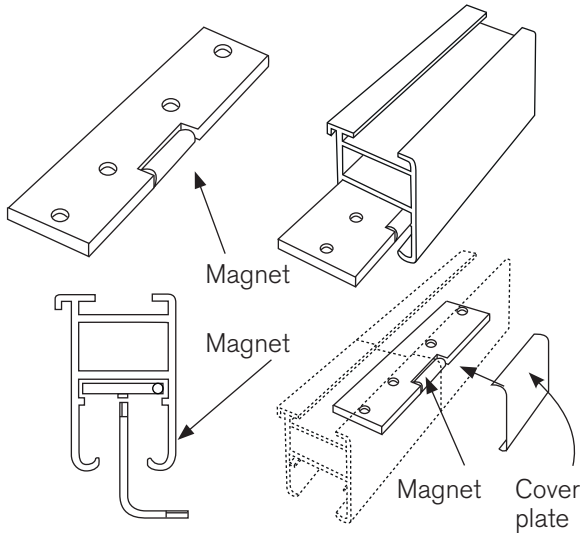
IMPORTANT

When top fixing bendable track, DO NOT over tighten screws as this can deform the track and cause the gliders to jam



SYSTEM 30 STRAIGHT JOINER

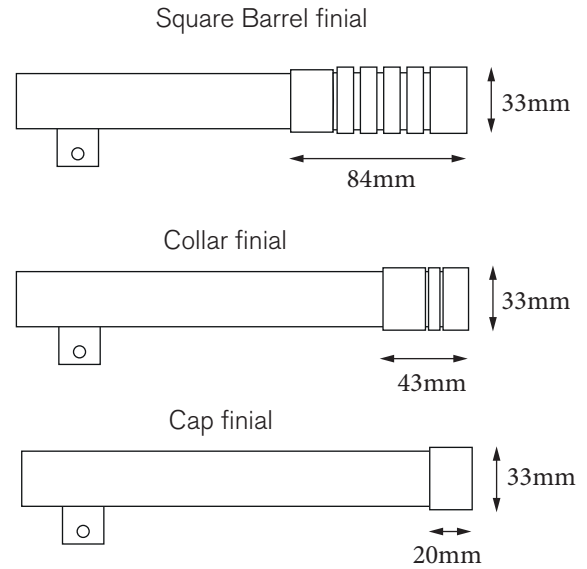
Ensure magnet is at the front of the track so that the cover plate will locate correctly



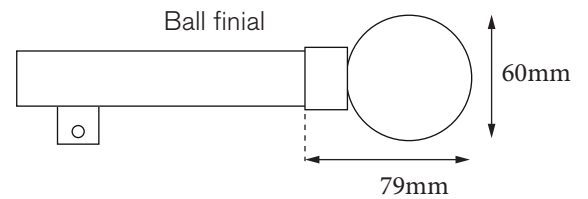
FINIALS

The finials below are for System 30 straight and bendable only

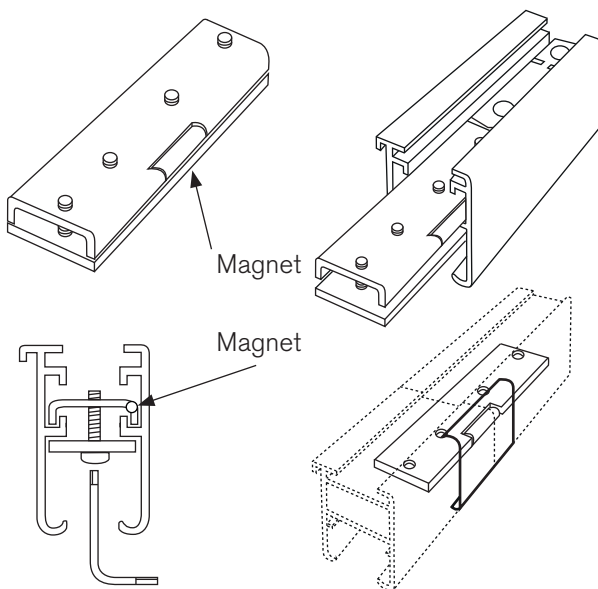
Suitable for use with top fix



NOT Suitable for use with topfix



SYSTEM 30 BENDABLE JOINER

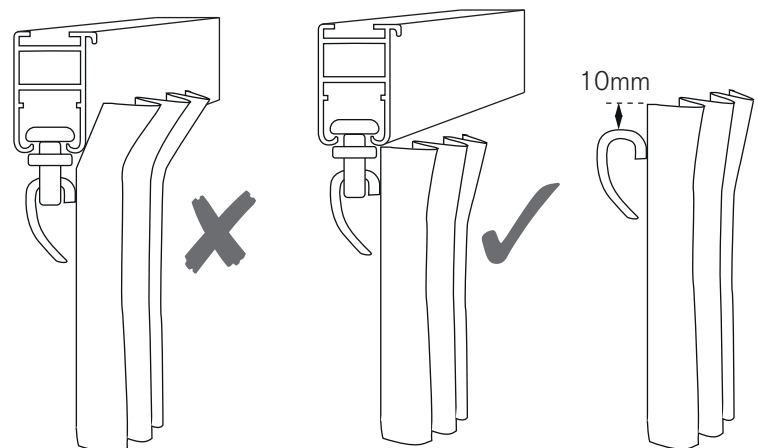


Remove part of the inner plastic section to create space to insert the joiner

Ensure magnet is at the front of the track so that the cover plate will locate correctly

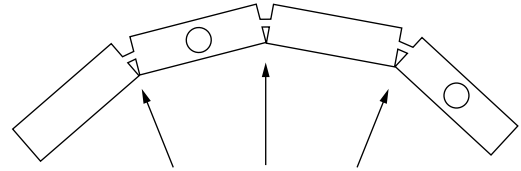
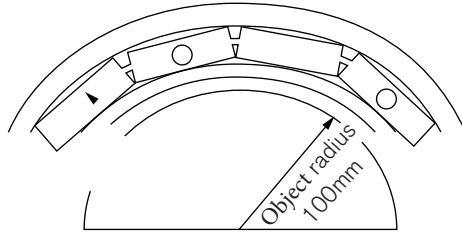
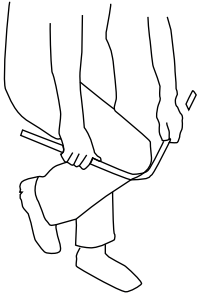
CURTAIN HEADINGS

We recommend curtain headings should be underslung for all three tracks to ensure the best operation of the curtains



BENDING SYSTEM 30

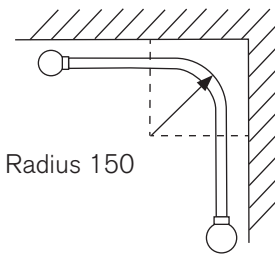
Easy to bend on site at point of installation. No more measuring up and hoping.
No transporting awkward and delicate bent tracks



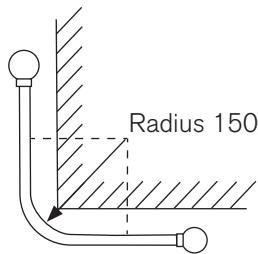
The tracks can be bent around a curved object with a radius of no less than 100mm. We recommend covering the track with a tea towel to prevent scratches.

Bend track until kerfs touch.
Do not bend any further

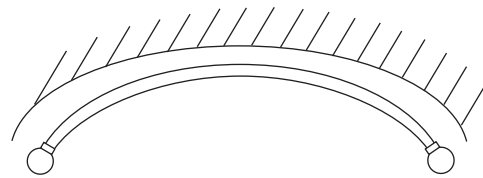
It's easy to achieve:



FORWARD BENDS



REVERSE BENDS



CONTINUOUS BENDS

Track lengths of 150cm - 300cm are supplied in 1 piece.
Track lengths of 360cm - 600cm are supplied in 2 pieces.
Track lengths of 720cm - 900cm are supplied in 3 pieces.

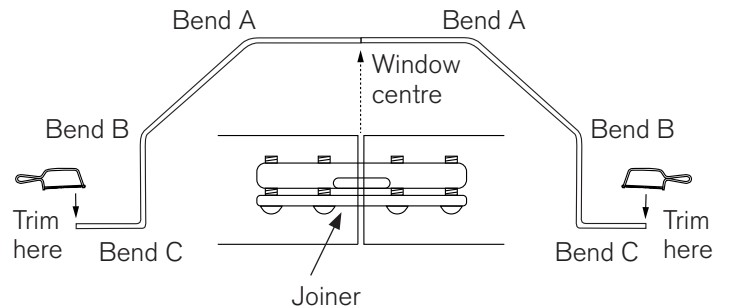
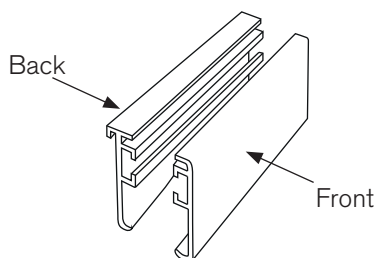


Diagram shows track joiner attaching two track lengths at the window centre

BENDING TO FIT A BAY

- 1 Identify front and back of track



- 2 Insert joiner, pushing the plastic filler down the track and tighten screws

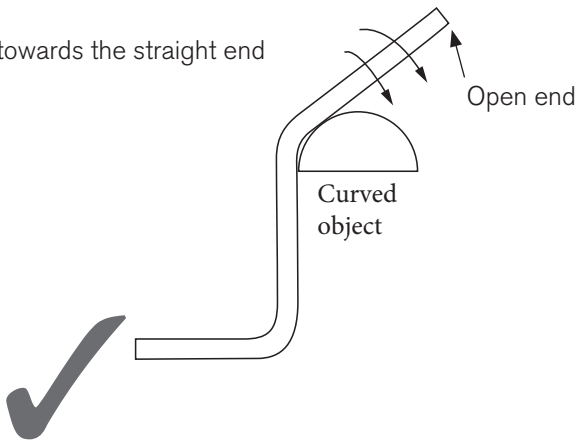
- 3 Bend from the centre working outwards. Bend A, then B, then C, one side then A-C on the other side

- 4 Trim off excess track at the track ends

- 5 Bracket spacing - see front page

BENDING SYSTEM 30

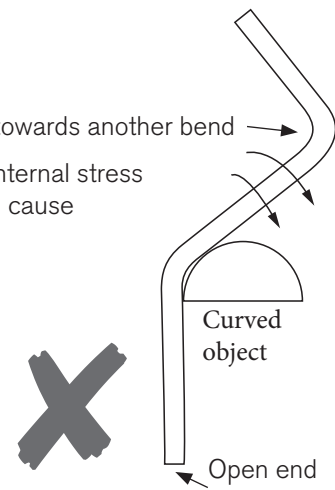
Bend towards the straight end



NOT LIKE THIS

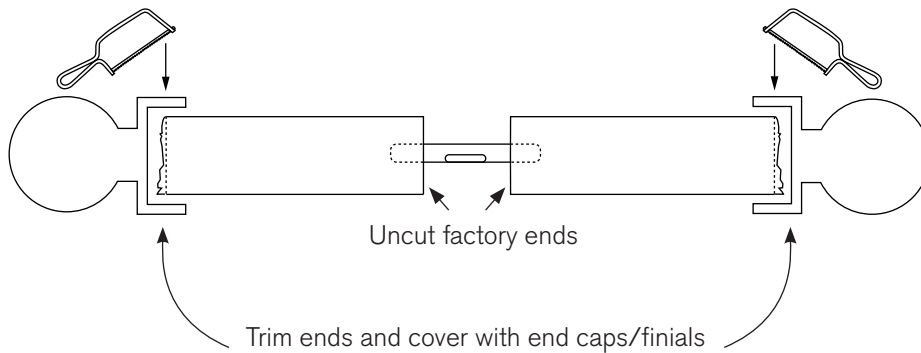
DO NOT try to bend towards another bend

This method causes internal stress in the track which can cause the gliders to jam



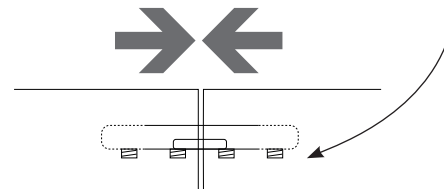
JOINING ALL TRACKS

- 1 Join together factory cut ends and trim off the excess at track ends only



- 2 Place a support bracket as close as possible to the join

- 3 Ensure the joins are butted together tightly before tightening lock screws



With careful installation gliders will smoothly pass over the track joins.

There is no limit to maximum track length

Sales: 0845 465 0101

e-mail: info@polesandblinds.com

www.polesandblinds.com