

Metal Curtain Poles and Finials

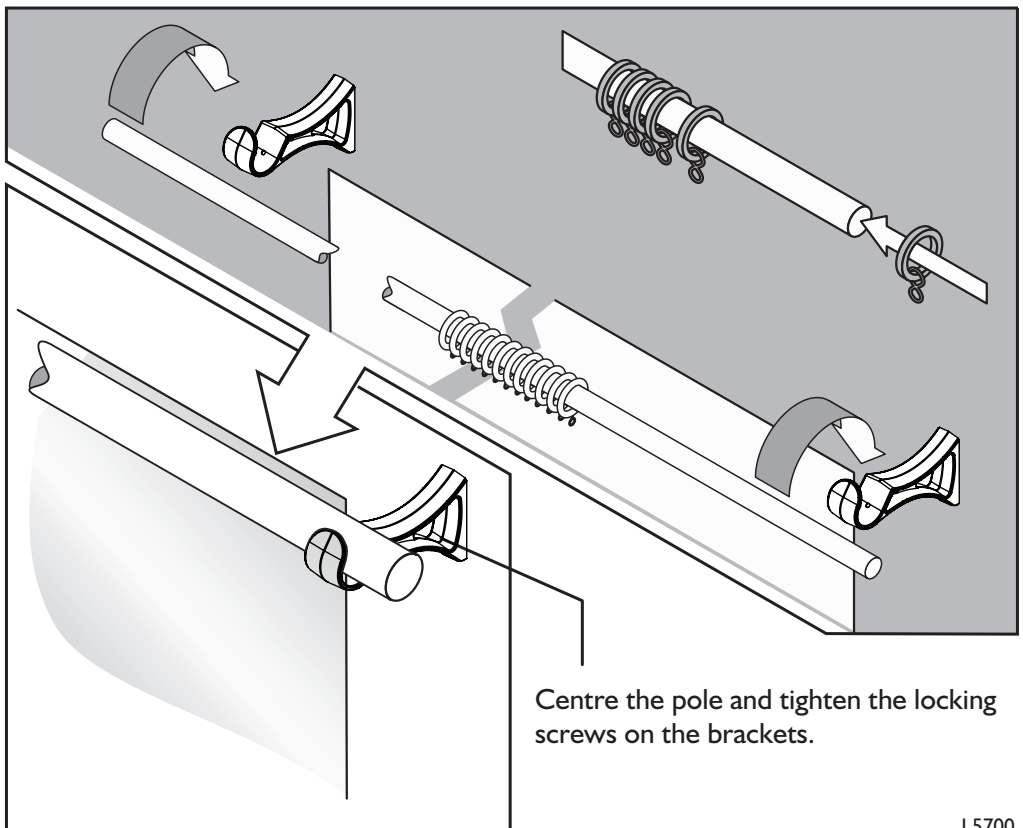
Fitting Instructions

Please refer to Pole Instructions for fitting the pole.

Should any component be missing, please call the Customer Care Department on 0800 515493.

Slide the required number of curtain rings onto the pole. Remember to leave two rings aside to place between the end brackets and finials.

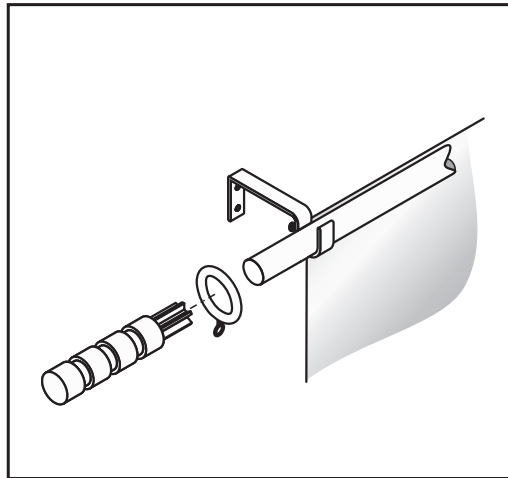
Drop the pole into the brackets and centralise over the window.



Fitting Finials

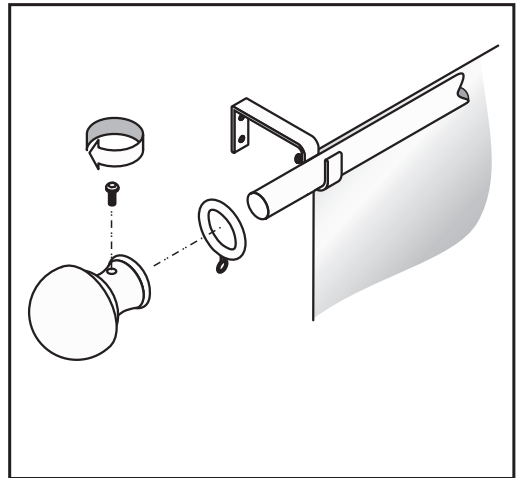
The following illustrations describe the two types of fitting, however the finials may differ slightly from those illustrated.

- Push in where the finial is inserted into the end of the pole.



Note: To ease with pushing finials into or on to the pole you may need to lubricate the pole or finial with some soap. You should wipe off any excess soap once the finial is mounted.

- Push and screw fix. Mount the finials and tighten the locking screws.



Safety

- Only use a step ladder or stable chair to reach the fixing height.
- Do not over reach. Always move the stepladder or chair, so that you are in a safe working position.
- Do not hold or lean on the pole to support your weight.
- Use two people for the installation of longer poles.
- Take care when using power tools, use of a Residual Current Device (RCD) is recommended.
- Always wear eye protection when drilling.
- Beware of hidden pipe runs and cables.



Integra Products Ltd
High Point, Sandy Hill Business Park,
Sandy Way, Amington, Tamworth,
Staffordshire B77 4DU

- tel: +44 (0)1543 267100 • fax: +44 (0)1543 267105
- email: cus.care@integra-products.co.uk
- web: www.integra-products.co.uk