

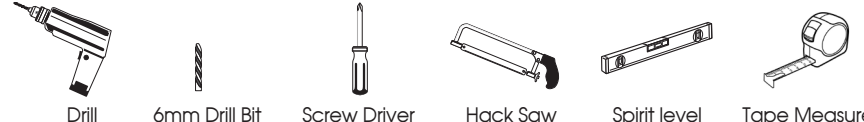
Cordless Aluminium Curtain Track Fixing Instructions

Please read carefully before commencing



WARNING
KEEP CORDS OUT OF REACH OF CHILDREN
 To avoid possible strangulation, this track is supplied with a cord safety device.

Tools Required



Drill 6mm Drill Bit Screw Driver Hack Saw Spirit level Tape Measure

All measurements are approximate.

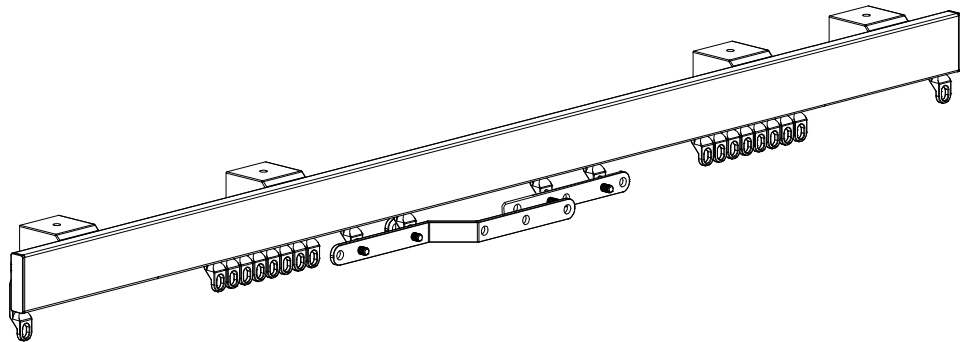
Parts List

Track Length	Curtain Track	End Stops	Brackets	Gliders	Bending Inserts	Overlap Arm	Track Connector & Cover	Screws & Plugs
150cm	1 x 150cm	1 Pair	6	18	1 Pair	1	0	6
175cm	1 x 175cm	1 Pair	7	20	1 Pair	1	0	7
200cm	1 x 200cm	1 Pair	8	22	1 Pair	1	0	8
250cm	2 x 125cm	1 Pair	12	28	1 Pair	1	1	12
300cm	2 x 150cm	1 Pair	12	32	1 Pair	1	1	12
350cm	2 x 175cm	1 Pair	14	38	1 Pair	1	1	14
400cm	2 x 200cm	1 Pair	16	42	1 Pair	1	1	16

How a complete track should look

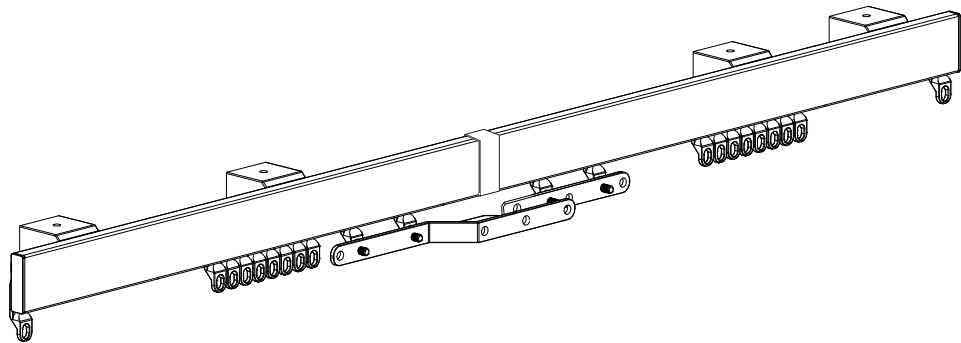
1 piece curtain track

Front of the track



2 piece curtain track

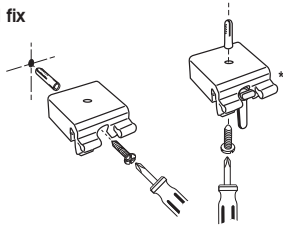
Front of the track



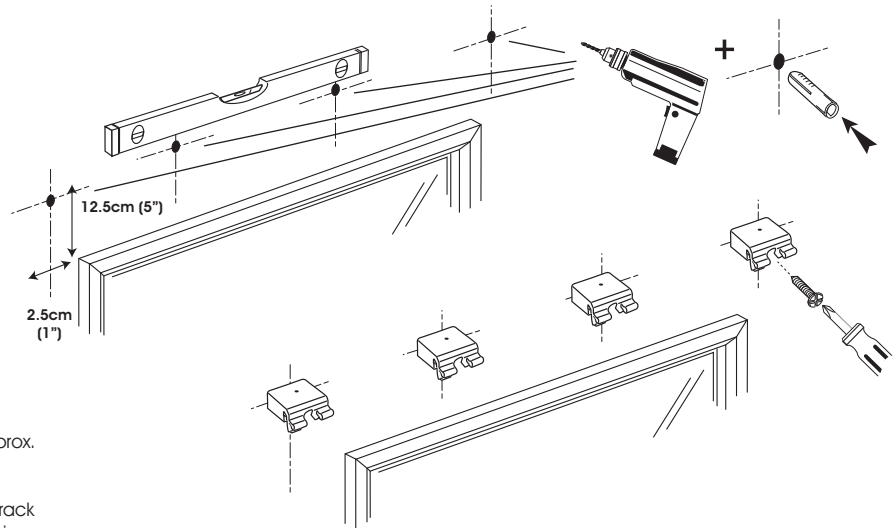
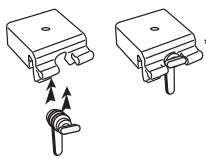
Positioning the brackets on a single track

- 1A** Mark & drill the positions for the keylock brackets.
Make sure they are level & equally spaced.
The brackets can be wall or ceiling fixed as shown.

Wall fix



Ceiling fix



We recommend the track overhangs the window frame by approx. 10cm (4").

Ensure the end brackets are at least 4cm from the end of the track so they do not interfere with the pulley housings when the track is mounted.

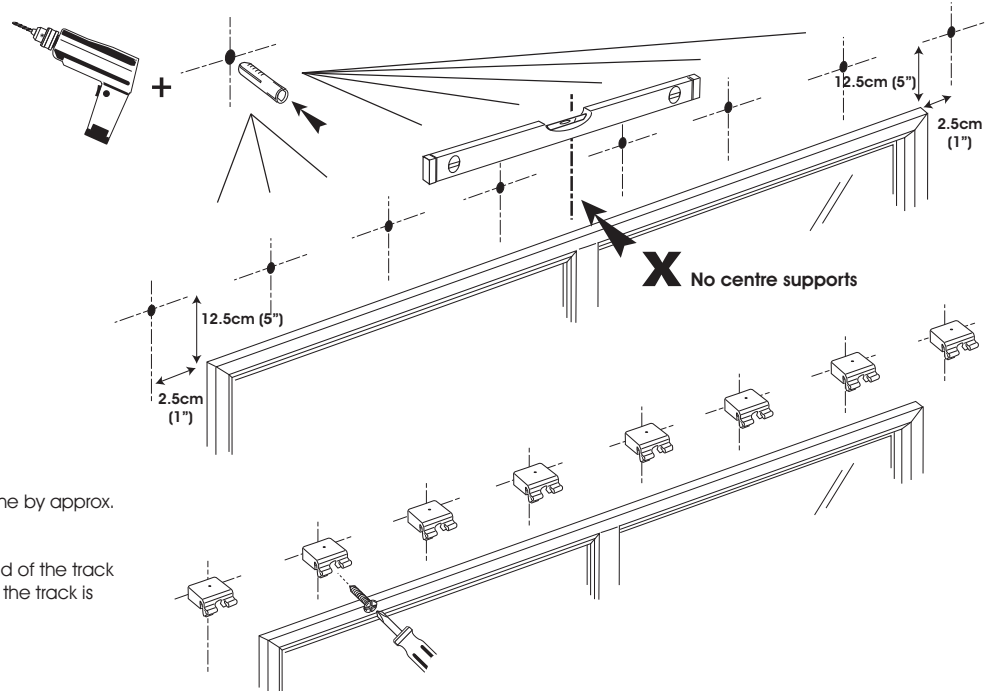
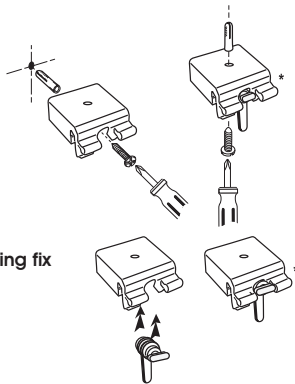
Insert the keylock into the keylock brackets.

* For ceiling fixing this may be done prior to hanging the brackets.

Positioning the brackets on a double track

- 1B** Mark & drill the positions for the keylock brackets.
Make sure they are level & equally spaced.
The brackets can be wall or ceiling fixed as shown.

Ceiling fix



We recommend the track overhangs the window frame by approx. 10cm (4").

Ensure the end brackets are at least 4cm from the end of the track so they do not interfere with the pulley housings when the track is mounted.

Insert the keylock into the keylock brackets.

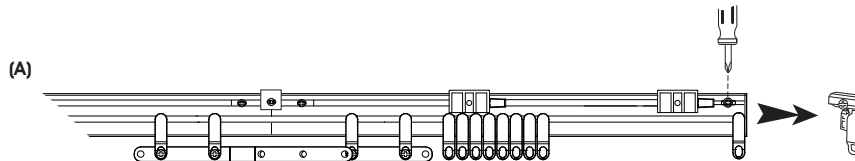
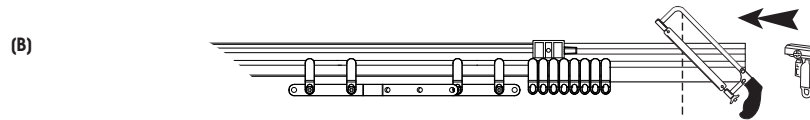
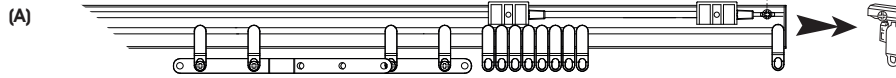
* For ceiling fixing this may be done prior to hanging the brackets.

Trimming the track

2 (A) Remove one of the end stops of the track.

(B) Trim the track & re-attach the end stop.

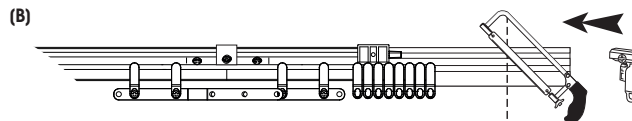
1 piece track



For 2 piece tracks

(A) Remove both the end stops of the track & cut equal amounts from each side on the track.

(B) Trim the track & re-attach the end stops.

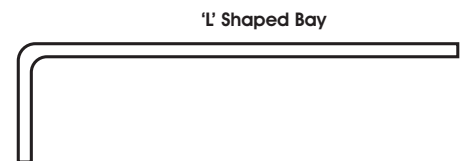
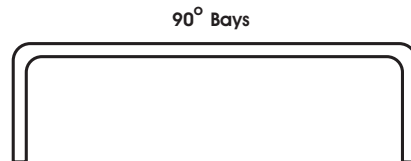
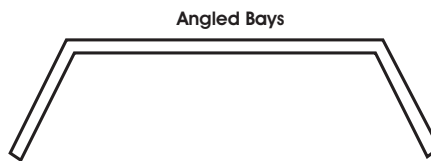


The track will bend into bay windows

3 Bay windows

For bay windows there is a maximum bend radius. Bending the track further than this radius will affect the flow of the gliders.

This track will NOT reverse bend.



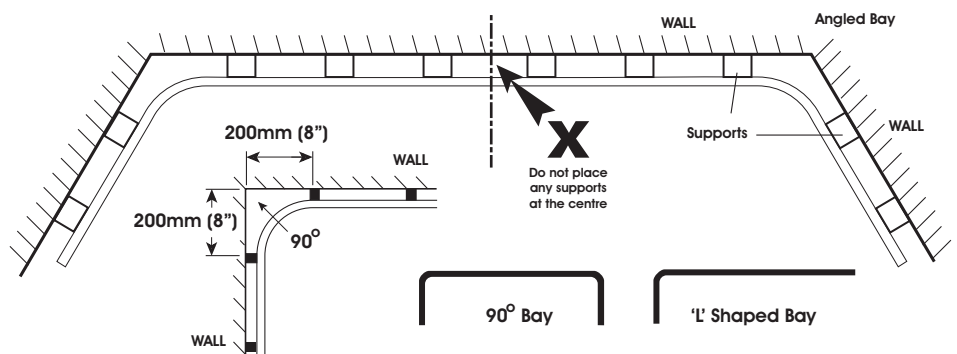
4 Bay track support positions

Mark & drill the positions for the keylock brackets.

The brackets should be placed a minimum of 200mm (8") from the corner of the window.

Ensure the brackets are level and equally spaced.

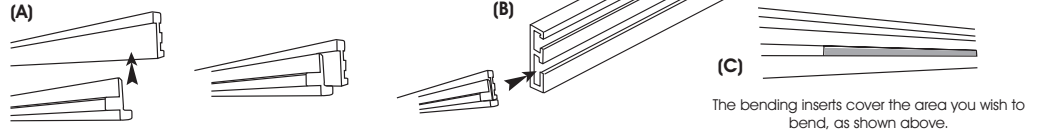
Do not place a bracket at the centre of the window where the track joins together.



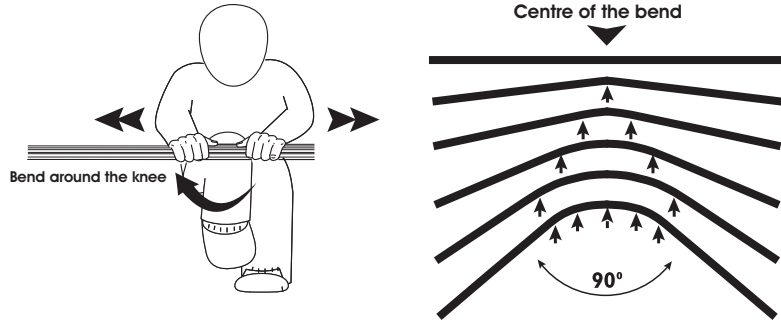
5 Bending the track

Measure & mark the track in the position where the centre of the bend will be.
Move the gliders out of the way.

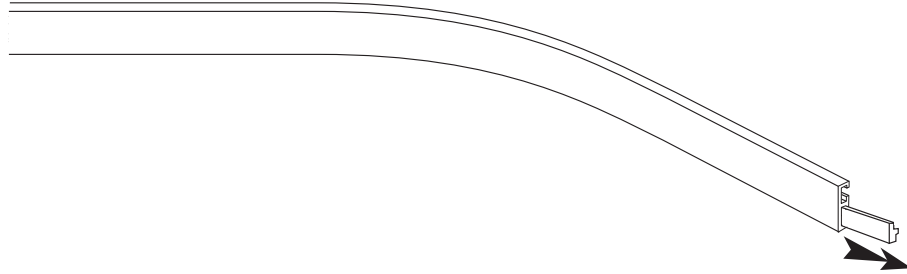
(A) Put the two pieces of the bending inserts together. **(B)** Insert the bending inserts into the bottom track channel (The larger one) & slide into position so it covers the area to be bent **(C)**.



Form the bend by gently easing the track into shape. Bend a little at a time in the positions shown. Check the angle with the bay so not to over bend.

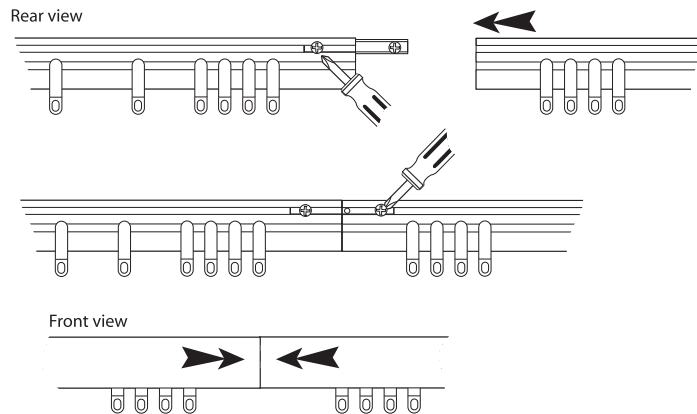


Remove the bending inserts after bending.



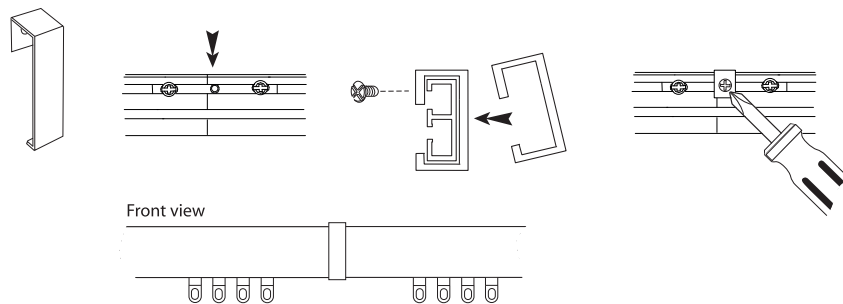
6 Joining two tracks

(A) Slide the track connector into one end of the track. Using the screws provided, tighten the connector into place.
(B) Slide the second track onto the connector and tighten the screw in place.



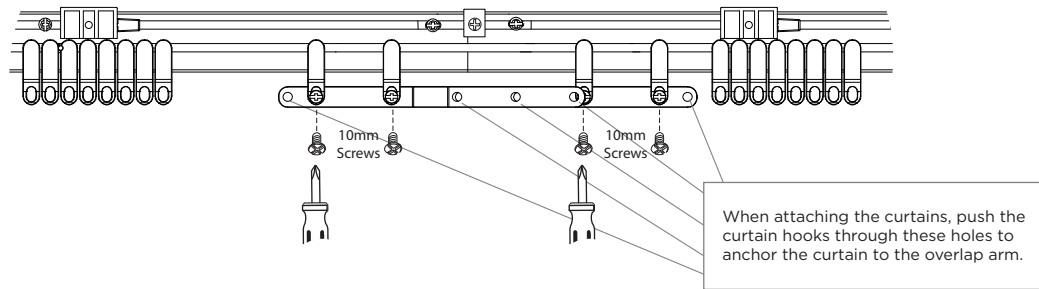
Attaching the centre cover

Place the centre cover over the centre track join. Using a screwdriver secure the cover in place with the cover screw.



7 Adding the overlap arm

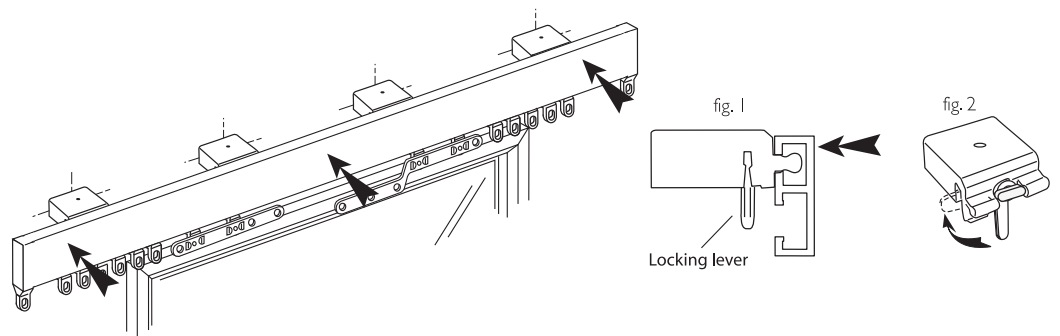
Mount the overlap arms as shown.



8 Hanging the track

Bring the track to the brackets.

Press the track onto the keylock brackets in the position shown (fig 1) then turn to locking lever 90° clockwise to lock the track into place (fig 2)



9 Adding extra gliders

Bring the glider to the bottom of the track channel horizontally & rotate 90° to lock in to place.

