

Corded Aluminium Curtain Track Fixing Instructions




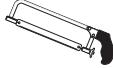


Please read carefully before commencing

Please note: Additional fasteners other than those sent with this eyelet bay pole may be required depending on the mounting surface. Wallboard and plaster require the use of anchors such as expansion or toggle bolts. Brick, tile or stone need special plugs and drill bits. Remember to always pre-drill holes in wood to avoid splitting.



WARNING
KEEP CORDS OUT OF REACH OF CHILDREN
 To avoid possible strangulation, this track is supplied with a cord safety device.

Tools Required

All measurements are approximate.

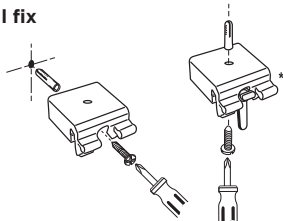
Parts List											
Track Length	Curtain Track	Left Pulley	Right Pulley	Brackets	Gliders	Overlap arm set	Master Carrier	Bending Inserts	Track Connector & Cover	Cord Tensioner	Screws & Plugs
150cm	1 x 130cm	1 x 10cm	1 x 10cm	6	18	1	1	1 set	0	1	8 sets
175cm	1 x 155cm	1 x 10cm	1 x 10cm	7	20	1	1	1 set	0	1	9 sets
200cm	1 x 180cm	1 x 10cm	1 x 10cm	8	22	1	1	1 set	0	1	10 sets
250cm	2 x 115cm	1 x 10cm	1 x 10cm	12	28	1	1	1 set	1	2	16 sets
300cm	2 x 140cm	1 x 10cm	1 x 10cm	12	32	1	1	1 set	1	2	16 sets
350cm	2 x 165cm	1 x 10cm	1 x 10cm	14	38	1	1	1 set	1	2	18 sets
400cm	2 x 190cm	1 x 10cm	1 x 10cm	16	42	1	1	1 set	1	2	20 sets

Positioning the brackets on a single track

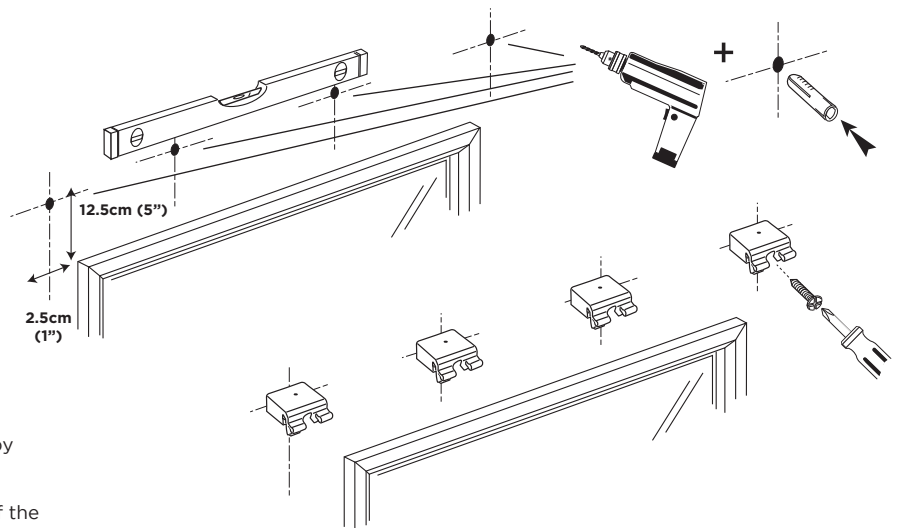
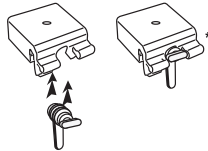
1A Mark & drill the positions for the keylock brackets. Make sure they are level & equally spaced.

The brackets can be wall or ceiling fixed as shown.

Wall fix



Ceiling fix



We recommend the track overhangs the window frame by approx. 10cm (4").

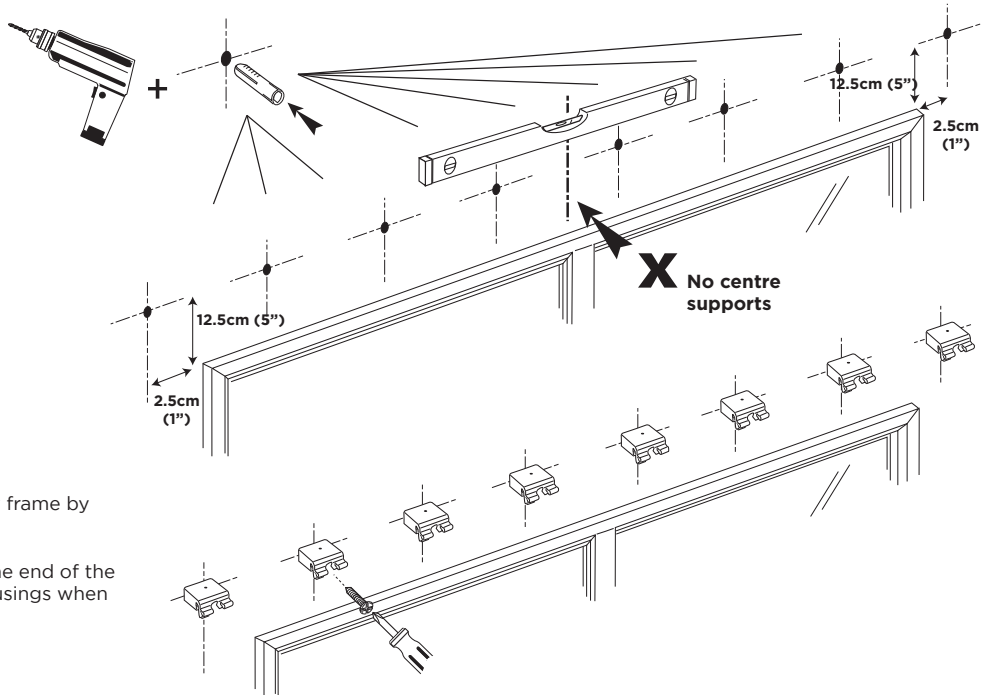
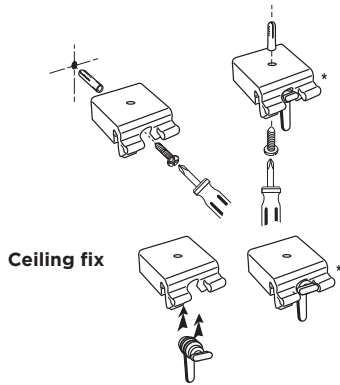
Ensure the end brackets are at least 4cm from the end of the track so they do not interfere with the pulley housings when the track is mounted.

Insert the keylock into the keylock brackets.

* For ceiling fixing this may be done prior to hanging the brackets.

Positioning the brackets on a double track

- 1B** Mark & drill the positions for the keylock brackets. Make sure they are level & equally spaced.
The brackets can be wall or ceiling fixed as shown.



We recommend the track overhangs the window frame by approx. 10cm (4").

Ensure the end brackets are at least 4cm from the end of the track so they do not interfere with the pulley housings when the track is mounted.

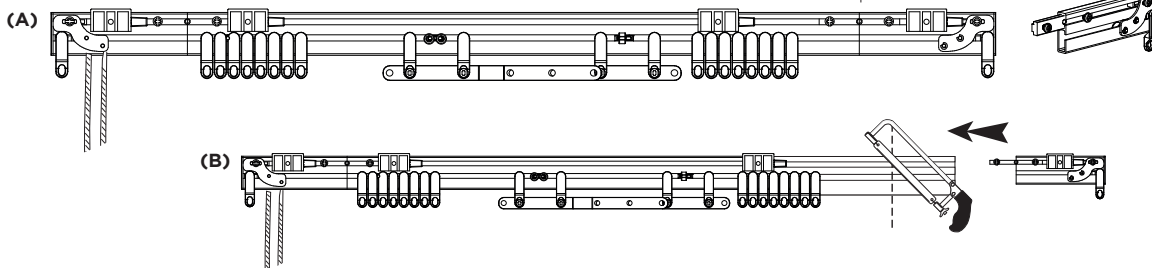
Insert the keylock into the keylock brackets.

* For ceiling fixing this may be done prior to hanging the brackets.

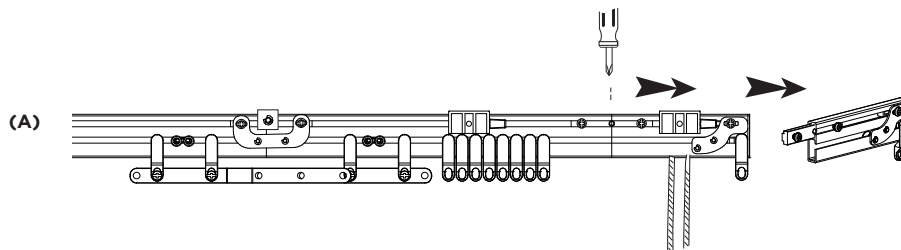
Trimming the track

- 2** (A) Remove one of the end pieces of the track.
(B) Trim the track & re-attach the end piece.

1 piece track

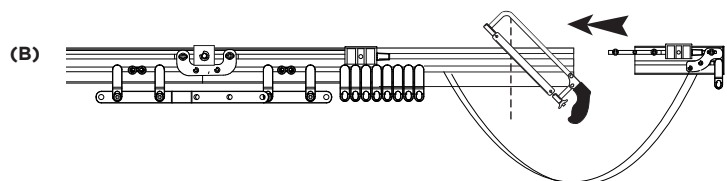


2 piece track



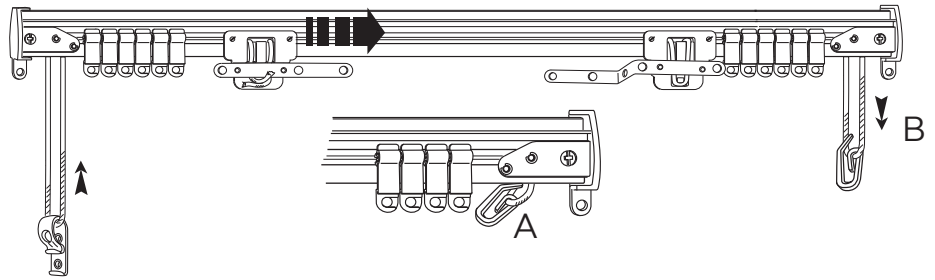
For 2 piece tracks

- (A) Remove both the end pieces of the track & cut equal amounts from each side on the track.
(B) Trim the track & re-attach the end pieces.

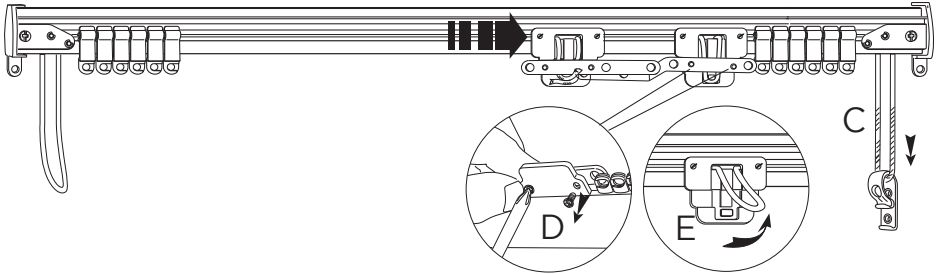


3 Adjusting the cord length

To change the corded track to draw from the left hand side firstly use the curtain hook provided to hook the cord and pull it through the slot in the track (A) then pull the cord downwards (B).

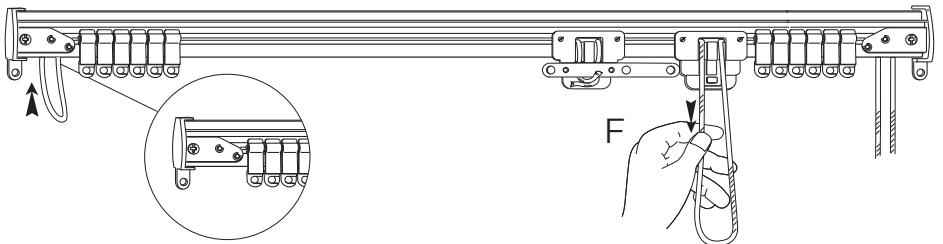


Remove the child safety guide and place onto the cord of the new draw side (C). Remove the curtain hook. Continue to pull the cord down on the new draw side until the overlap arm/master carrier reaches the right hand side.

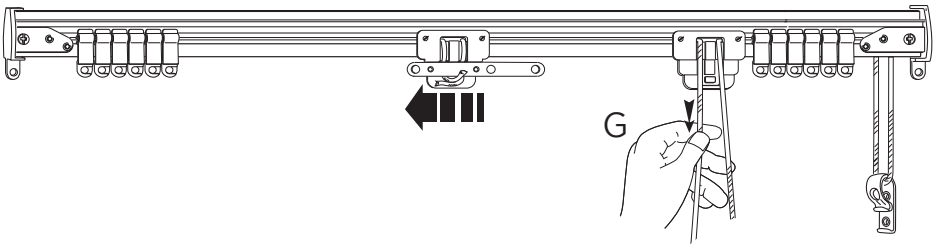


Remove the 'Z' shaped overlap arm to free the cord from the master carrier.

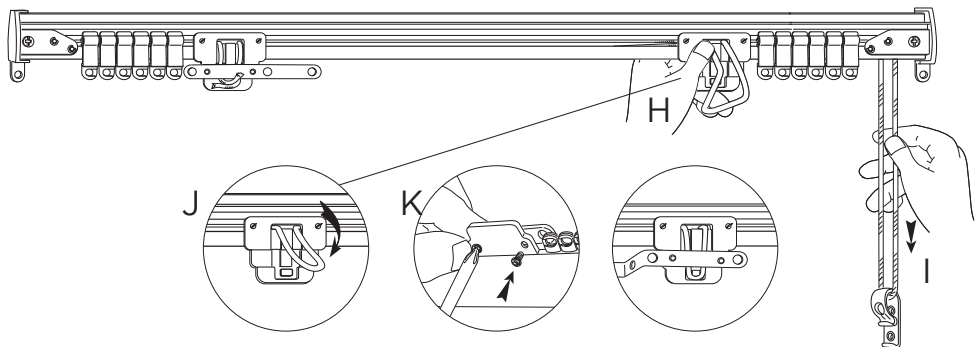
Holding the left hand cord of the master carrier, pull downwards until all the cord on the original draw side has disappeared into the track. Do not allow the cord to become twisted when you do this.



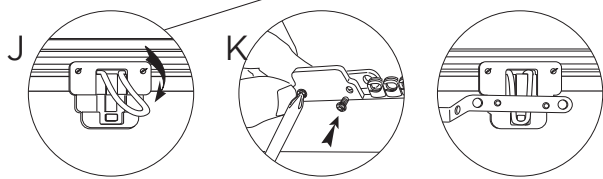
To send the other master carrier/overlap arm back across to the left hand side of the track. Continue to pull down the left hand cord of the master carrier. Note: Adjustment of the draw cord with the child safety guide on may be required to stop the cord twisting or jamming against the track. Either untwist or pull down the cord with the child cord safety guide on to elevate the problem.



With the master carriers now positioned at either side of the track. Using your thumb to hold the left hand cord on the master carrier (H), pull the right hand cord from the pulley mechanism downwards (I). This will reduce the cord on the master carrier back down to a small loop.



Hook the cord back into the carrier (J) and re-attach the 'Z' shaped overlap arm (K).

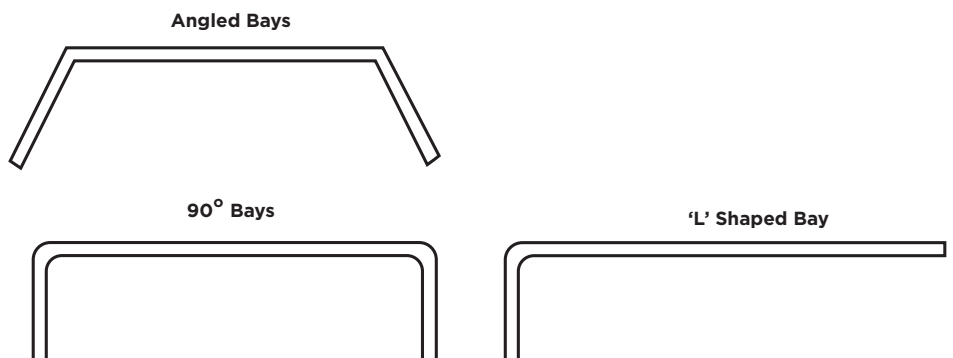


The track will bend into bay windows

Bay windows

For bay windows there is a maximum bend radius. Bending the track further than this radius will affect the flow of the gliders.

This track will NOT reverse bend.



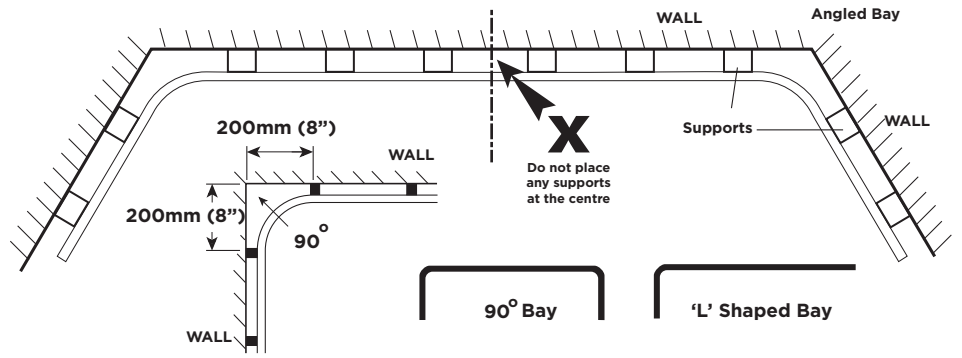
4 Bay track support positions

Mark & drill the positions for the keylock brackets.

The brackets should be placed a minimum of 200mm (8") from the corner of the window.

Ensure the brackets are level and equally spaced.

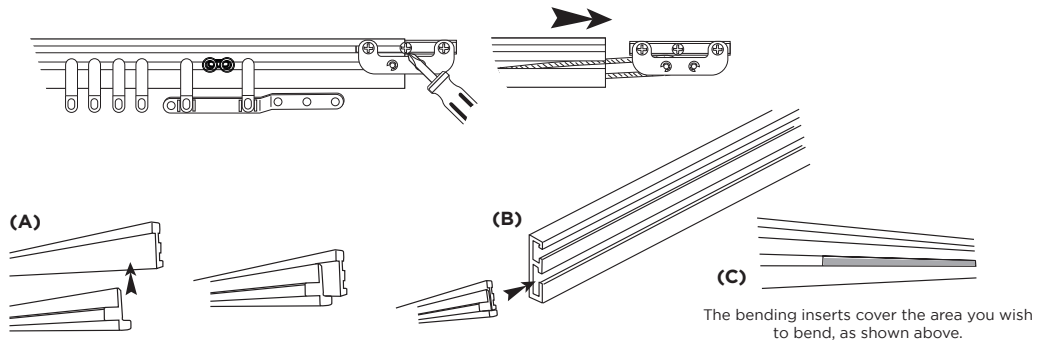
Do not place a bracket at the centre of the window where the track joins together.



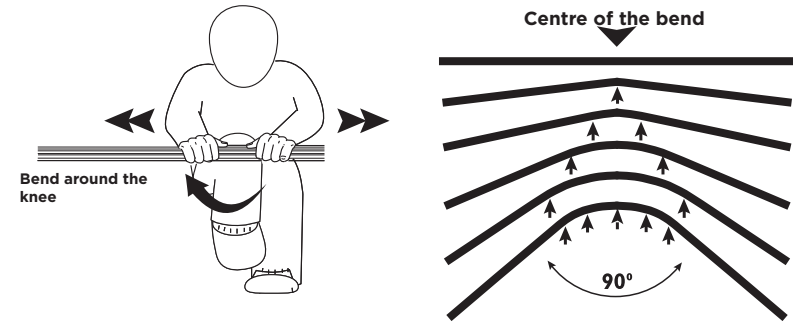
5 Bending the track

Measure & mark the track in the position where the centre of the bend will be. Move the master carriers, gliders & cords out of the way.

(A) Put the two pieces of the bending inserts together. (B) Insert the bending inserts into the bottom track channel (The larger one) & slide into position so it covers the area to be bent (C).

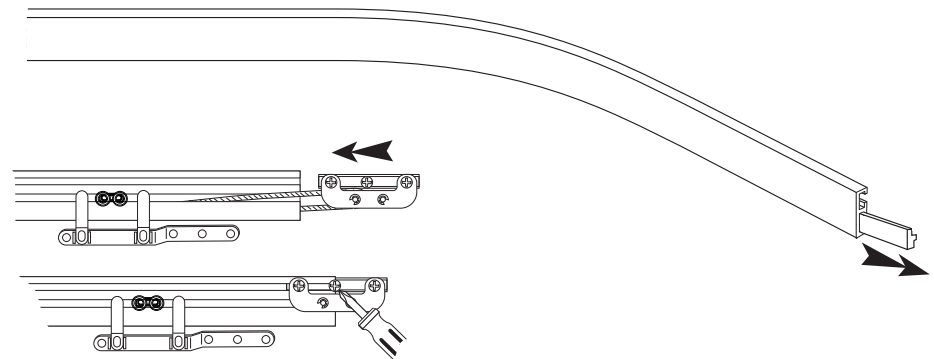


Form the bend by gently easing the track into shape. Bend a little at a time in the positions shown. Check the angle with the bay so not to over bend.



Remove the bending inserts after bending.

Wrap the cords around the pulley wheel, making sure they are not twisted, & insert the pulley housing back into the track.



6 Joining two tracks

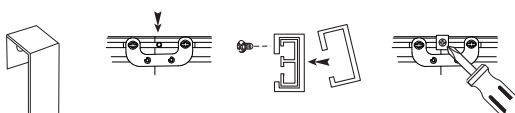
Loosen the screw on the centre pulley & hook the loop of the cord from the track to be joined around the empty pulley wheel.

Make sure the cords are not twisted.

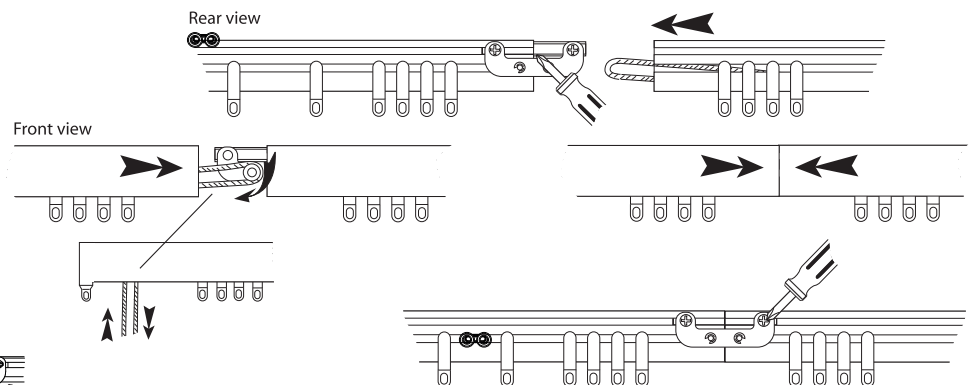
Push the tracks together. Keep some tension on the cord at the main pulley house end to stop it from coming off the pulley wheel as you do so.

Centre the track behind & tighten the screws.

Attaching the centre cover

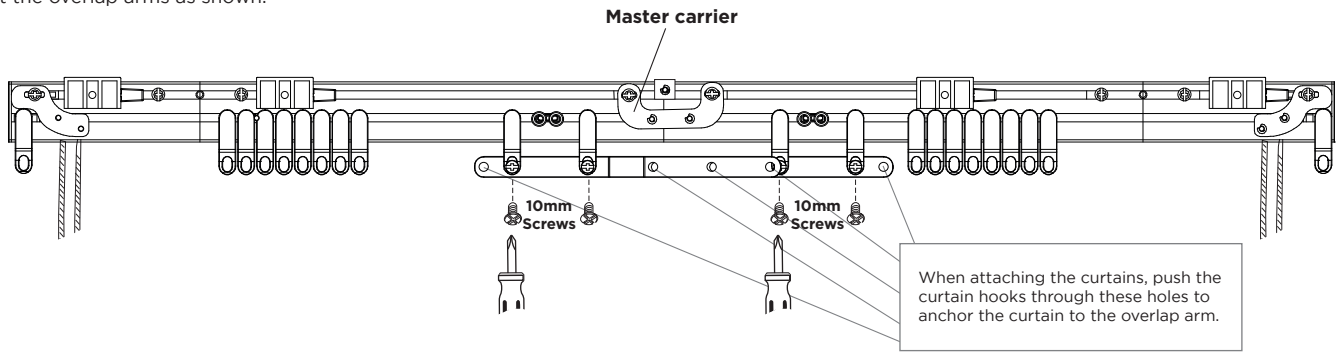


Place the centre cover over the centre track join. Using a screwdriver secure the cover in place with the cover screw.



7 Adding the overlap arm

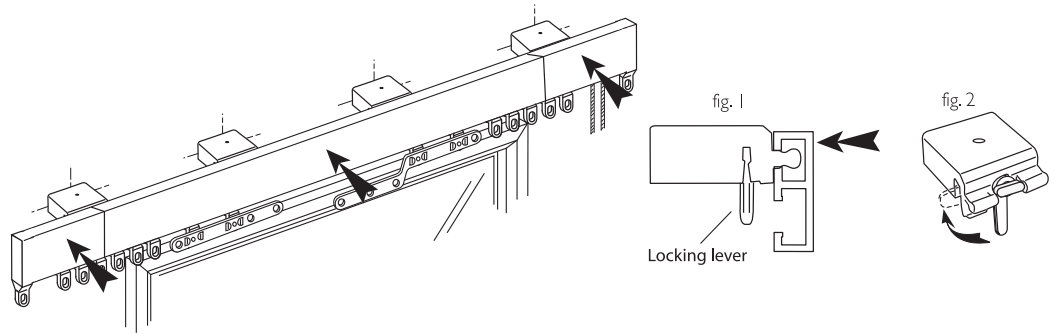
Mount the overlap arms as shown.



8 Hanging the track

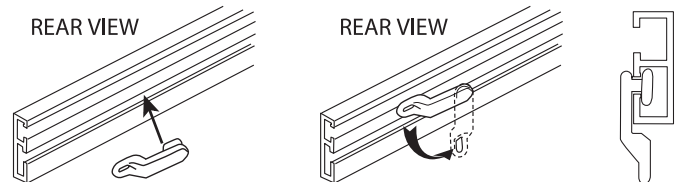
Bring the track to the brackets.

Press the track onto the keylock brackets in the position shown (fig 1) then turn to locking lever 90° clockwise to lock the track into place (fig 2)



9 Adding extra gliders

Bring the glider to the bottom of the track channel horizontally & rotate 90° to lock in to place.

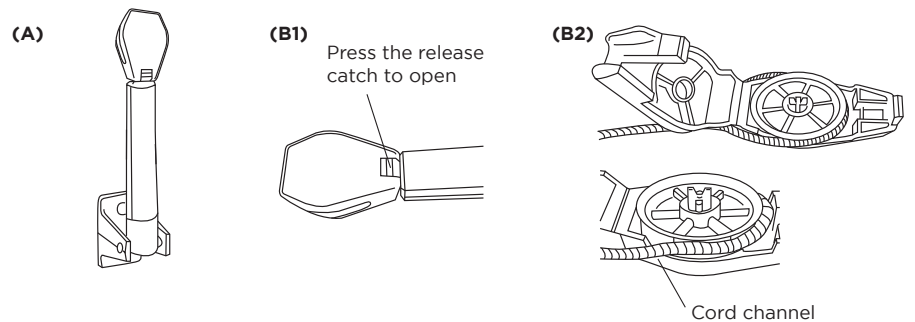


10 Installing the cord tensioner

(A) Fix the cord tensioner according to the current BS EN13120 regulations, directly in line with the pull cord.

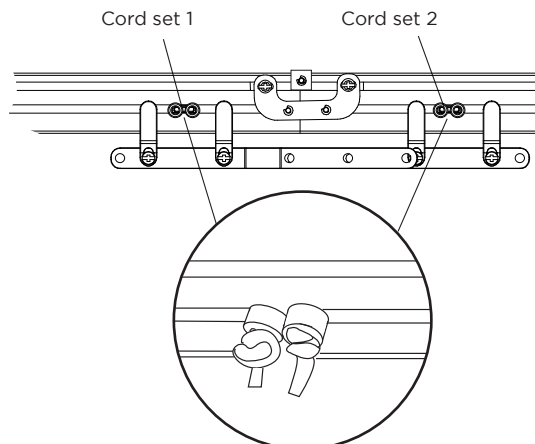
(B1) Open the top of the cord tensioner by pressing the release catch as shown.

(B2) Place the cord inside the tensioner around the wheel. Ensure that the cord sits into the cut out channel. Close the cover & make sure it clicks into place. Check that the cord is free and is not trapped in the cord tensioner cover.



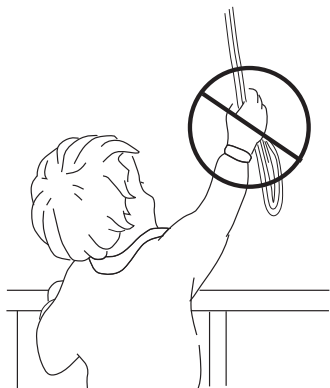
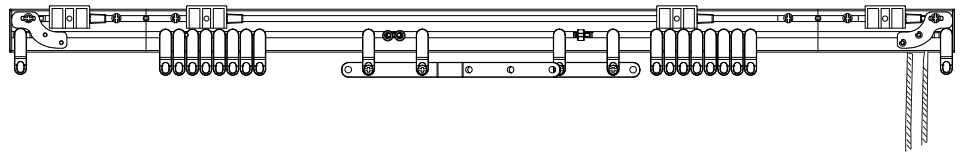
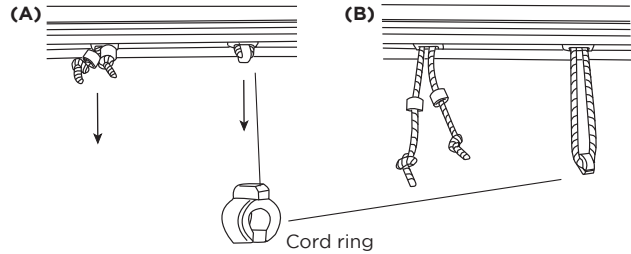
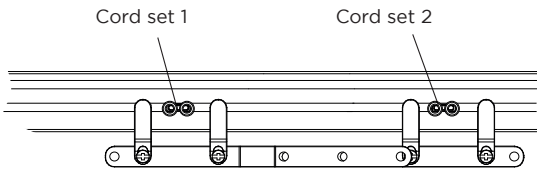
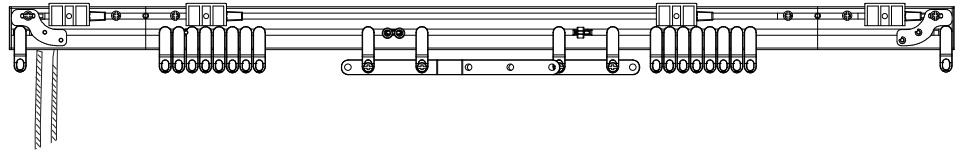
Take the slack of the cord & tie a knot behind the track. The cord will now be fully tensioned. If you need to adjust the tension, tighten the knots.

(C) The track is now ready for you to hang the curtains.



11 Changing from right-hand draw to left-hand draw

(A) Unclip the cord ring from the back of the track. (B) Loosen the cords & pull the cord through the track channel. Adjust the cord length as required & clip the cord ring back in place.



WARNING
KEEP CORDS OUT OF REACH
OF CHILDREN

To avoid possible strangulation,
this track is supplied
with a cord safety device.