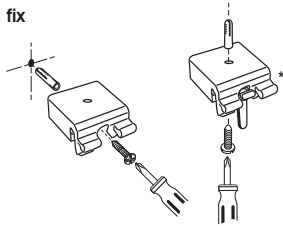


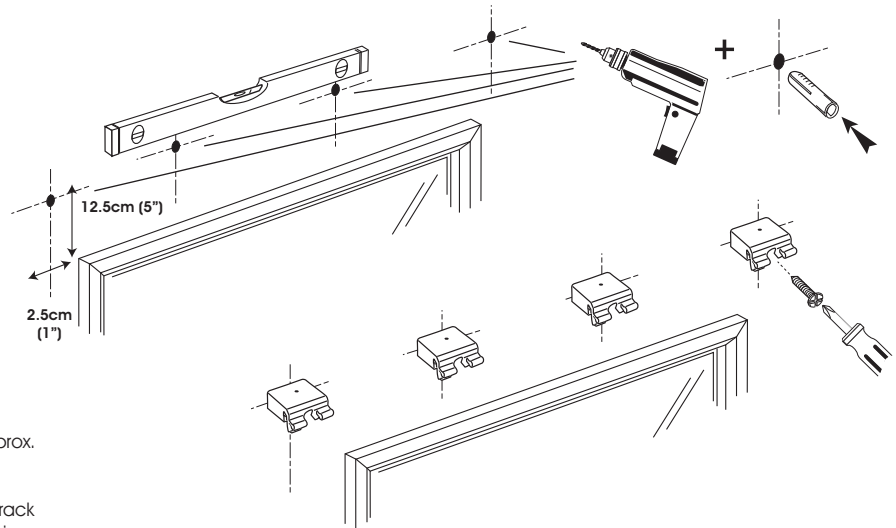
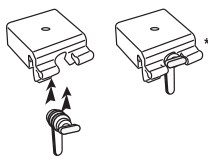
## Positioning the brackets on a single track

- 1A** Mark & drill the positions for the keylock brackets. Make sure they are level & equally spaced. The brackets can be wall or ceiling fixed as shown.

Wall fix



Ceiling fix



We recommend the track overhangs the window frame by approx. 10cm (4").

Ensure the end brackets are at least 4cm from the end of the track so they do not interfere with the pulley housings when the track is mounted.

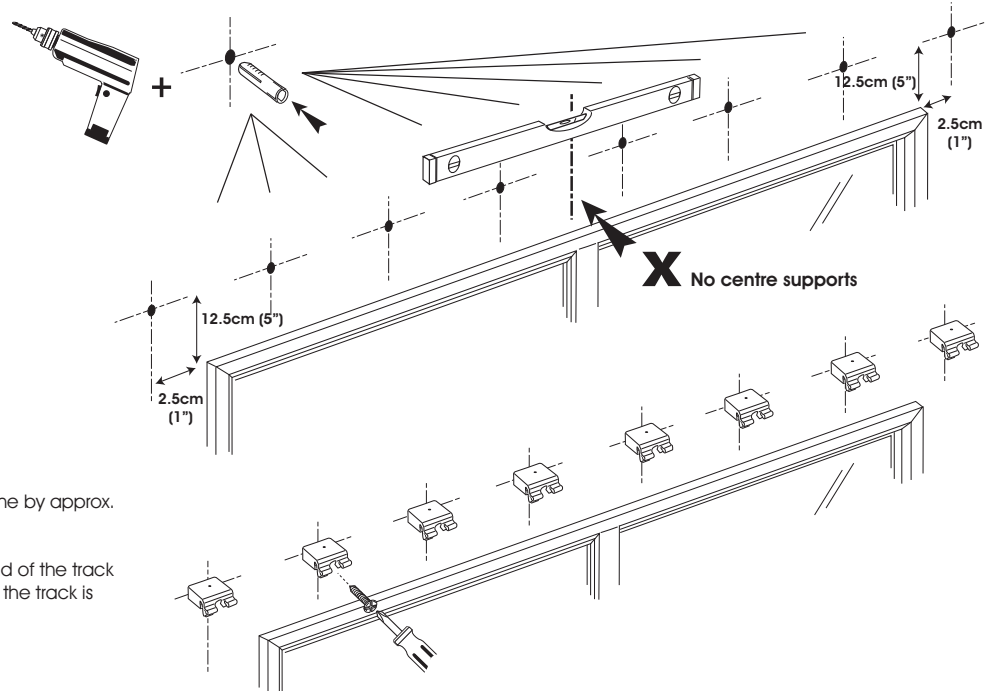
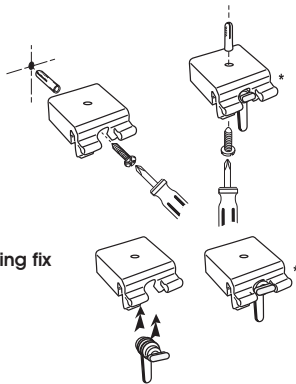
Insert the keylock into the keylock brackets.

\* For ceiling fixing this may be done prior to hanging the brackets.

## Positioning the brackets on a double track

- 1B** Mark & drill the positions for the keylock brackets. Make sure they are level & equally spaced. The brackets can be wall or ceiling fixed as shown.

Ceiling fix



We recommend the track overhangs the window frame by approx. 10cm (4").

Ensure the end brackets are at least 4cm from the end of the track so they do not interfere with the pulley housings when the track is mounted.

Insert the keylock into the keylock brackets.

\* For ceiling fixing this may be done prior to hanging the brackets.