

60 second metal extendable curtain track instructions

- Please read carefully before commencing

Please note: Make sure the surface that this track will be attached to is strong and solid enough to take the weight of the track and curtain plus the pressure from the track when it is under tension.

This track is suitable for light to medium weight curtains.

Parts list

Track length	Extendable Track	End Stops	Gliders
45-70cm	1	2	12
60-100cm	1	2	16
100-150cm	1	2	20
150-200cm	1	2	24

- 1** To hang the extendable 60 second track you will need to extend the track longer than the recess width.

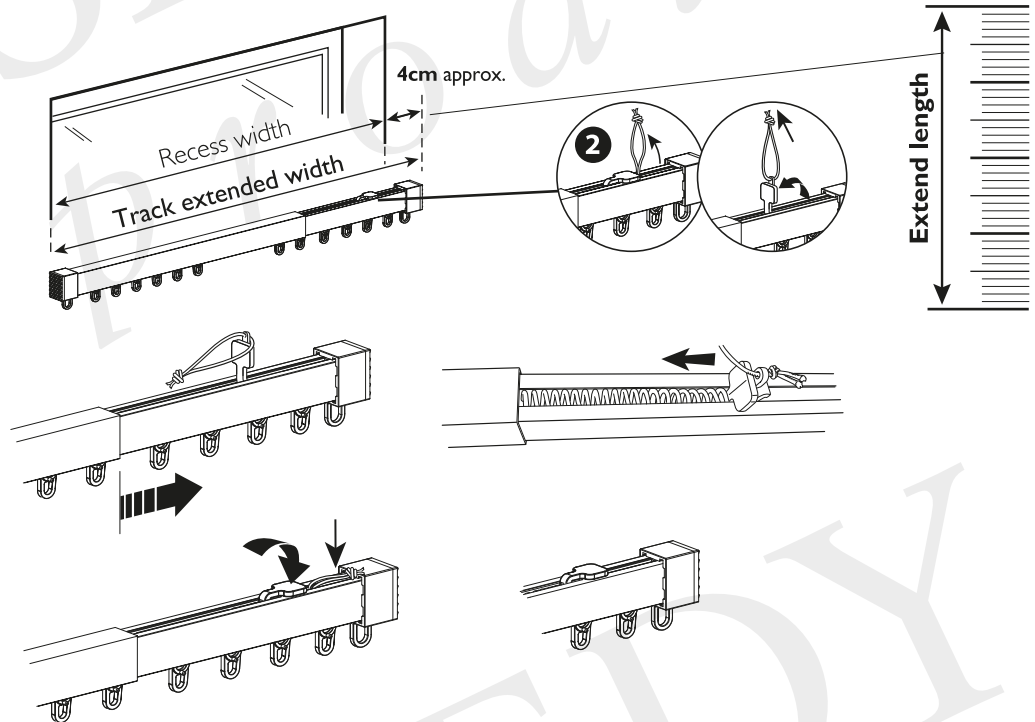
Extend the track to the recess width and add the extend length measurement opposite

Note: This is a guide - slightly less or more may be required.

- 2** To extend the track locate and lift the knotted cord from the track top channel. Pull the cord upwards to release the track locking lever and move into an upright position.

- 3** Extend your track

Slide the lever and spring down so they rest against the end of the wide track. Press the track locking lever firmly back down (use two thumbs) to lock the track. Locate the cord back into the track top channel.



Fixing 60 second track into place

- A** Place the larger diameter track section into the recess. Working from the smaller diameter track end, push to reduce the track length.

- B** Insert the track into the recess taking care not to damage your decor as you do so.

- C** Hang curtains. Make sure to place the first hook on each curtain into the grip end stop to hold the curtain in place when drawing.

