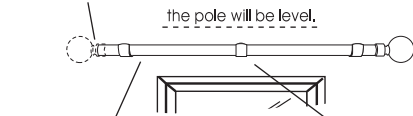


28mm Poles Apart Semi-Complete Eyelet Pole Fixing Instructions

Please read carefully before commencing

The end of the pole overhangs the window frame by about 2.5cm / 1"



The supports are level and past the edge of the window.

On 2 piece poles make sure the centre support will be placed in the middle of the window.

Tools Required



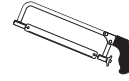
Drill



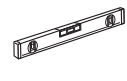
6mm Drill Bit



Screw Driver



Hack Saw



Spirit level



Tape Measure

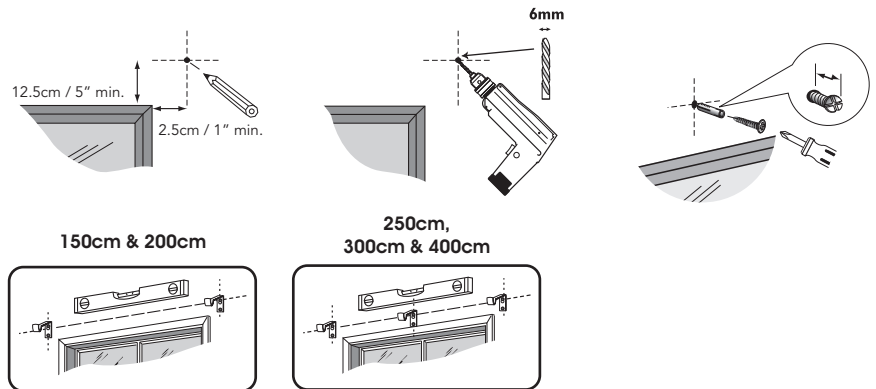
All measurements are approximate.

Parts list

Pole Length	Pole	Pole Connector	Adjustable Brackets	Screws & wall plugs	Allen Key
150cm	1 x 150cm	0	2	4	1
200cm	1 x 200cm	0	2	4	1
250cm	2 x 125cm	1	3	6	1
300cm	2 x 150cm	1	3	6	1
400cm	2 x 200cm	1	3	6	1

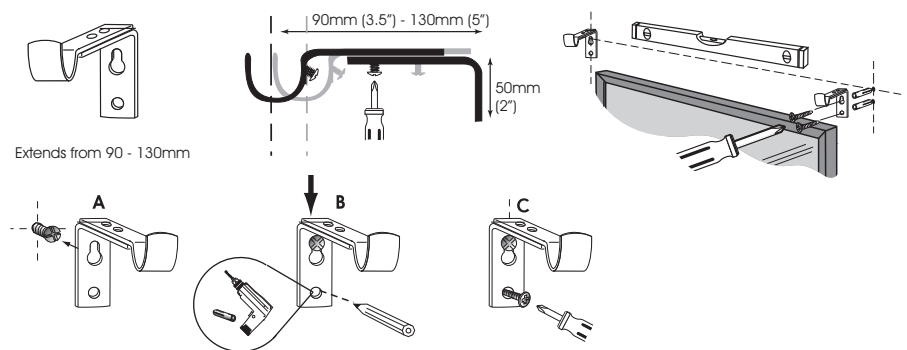
- 1** Mark & drill the bracket top fixing positions, making sure they are level.

Using the correct fixings for your wall type, fix the screws into the wall leaving a small section protruding from the wall.



- 2** Extend the brackets to the desired length & secure by tightening the screws underneath.

(A) Slide the brackets onto the wall screws. (B) Mark the lower bracket fixing positions. Remove the bracket & drill the hole position. (C) Using the correct fixings for the wall, replace the bracket on the wall screw & secure both wall screws in place.



Trimming a single pole - 150cm & 200cm

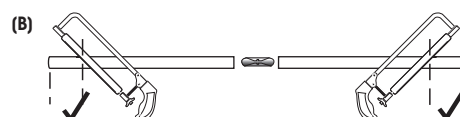
ONLY TRIM THE CURTAIN POLE IF IS NECESSARY.

- 3** (A) Measure & mark the length of pole you need to remove on one side of the pole. Using a hacksaw cut the pole and dispose of the excess pole piece.



Trimming double poles - 250cm, 300cm & 400cm

(B) Measure & mark the length of pole you need to remove. Using a hacksaw trim an equal amount from each end of the pole, dispose of the excess pole pieces. Place the factory cut ends at the centre where you pole join will be.



28mm Poles Apart Semi-Complete Eyelet Pole Fixing Instructions

Please read carefully before commencing

Fixing single poles - 150cm & 200cm

Fixing the pole to the brackets.

4

(A) Slide the eyelet curtains onto the pole.

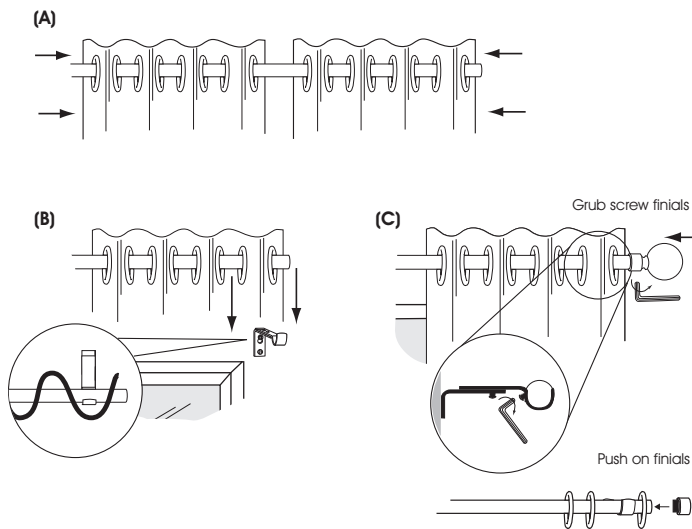
(B) Hang the pole onto the brackets making sure the last eyelets at both ends of the curtains are placed after the bracket.

(C) Secure the pole to the brackets with the screw behind the bracket cup, as shown.

FINIALS ARE SOLD SEPARATELY

Place the finials over the end of the pole & tighten the grub screws with an allen key.

Some finials are push on and therefore are secured to the pole by pushing the end into the pole.



Fixing double poles - 250cm, 300cm & 400cm

Fixing the pole to the brackets.

(A) Insert the pole connector into the first pole and push the second pole onto the connector and into place. Both poles should now be attached together.

(B) Hang the pole onto the brackets. Make sure the centre bracket covers the centre join of the curtain pole.

(C) Secure the pole to the brackets with the screw behind the bracket cup, as shown.

FINIALS ARE SOLD SEPARATELY

Place the finials over the end of the pole & tighten the grub screws with an allen key.

Some finials are push on and therefore are secured to the pole by pushing the end into the pole.

