

# 13-28mm Dual Pole Fixing Instructions

- Please read carefully before commencing

We recommend a professional person competent in DIY undertake this installation.

NOTE: We also strongly recommend that 2 people undertake the fixing of this pole.

## Tools Required



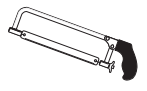
Drill



6mm Drill Bit



Screw Driver

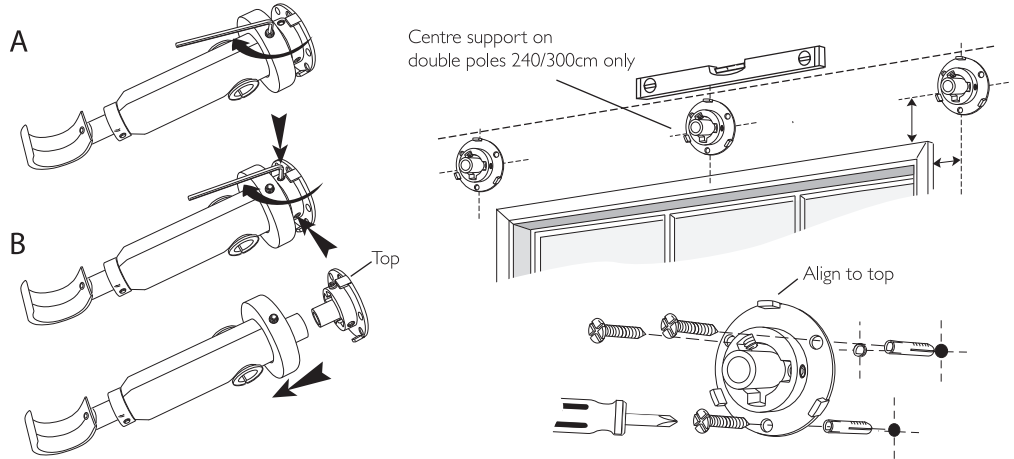
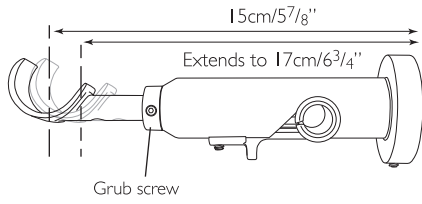


Hack Saw

## Parts list

| pole length | 28mm metal poles | 13mm metal poles | trigger support & 13mm collar | 28mm ball finials | 13mm ball finials | 28mm lined rings | 13mm lined rings | 28mm pole connector | 13mm pole connector | allen key | screw & wall plug set |
|-------------|------------------|------------------|-------------------------------|-------------------|-------------------|------------------|------------------|---------------------|---------------------|-----------|-----------------------|
| 180cm       | 1 x 180cm        | 175cm            | 2                             | 2                 | 2                 | 18               | 18               |                     |                     | 1         | 6                     |
| 240cm       | 2 x 120cm        | 2 x 115cm        | 3                             | 2                 | 2                 | 24               | 24               | 1                   | 1                   | 1         | 9                     |
| 300cm       | 2 x 150cm        | 2 x 145cm        | 3                             | 2                 | 2                 | 30               | 30               | 1                   | 1                   | 1         | 9                     |

## 1 Support Positions



To hang the supports - firstly they will need to be partly dismantled. Using the allen key provided loosen the grub screw on top of the support base and slide the cover back (A). Loosen the two inner grub screws and release the support base (B) please note its alignment. Using the support base aligned and mark and drill the positions using a 6mm drill bit. An extra centre support is supplied with 240/300cm poles, ensure it is placed level and in the middle of the window.

Fix the support bases with the screws and wall plugs provided (see fasteners note opposite).

**Please note:** Additional fasteners other than those sent with your blind may be required depending on the mounting surface. Wallboard and plaster require the use of anchors such as expansion or toggle bolts. Brick, tile or stone need special plugs and drill bits. Remember to always pre-drill holes in wood to avoid splitting.

Fix the supports to the base by reversing the process used to take them apart.

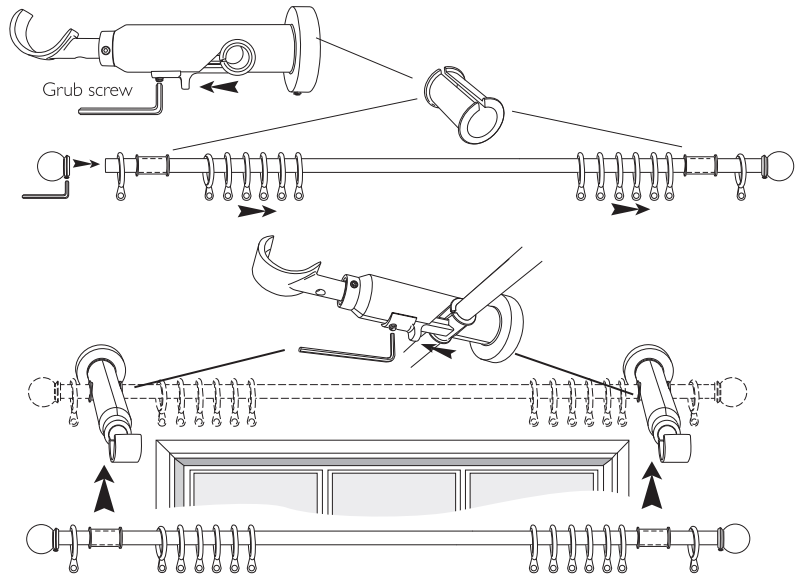
**Note: For extra strength, we recommend fixing the supports to a wooden batten.** Use the grub screw on the support collar to extend the front of the support if required.

## 2 Assemble the poles- 180cm

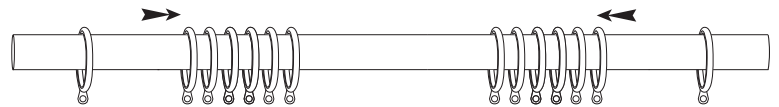
**If you need to trim the poles - see item 4 before assembling.**

To assemble the 13mm pole, remove the resin collar from each support by using the allen key to loosen the grub screw on each trigger catch below. Pull back the catch to release them. With the allen key remove one of the 13mm finials and slide the rings onto the pole. Screw the finial back in place. Position the collars over the pole in line with the supports, leaving one ring between the holder and the finial to act as an end stop.

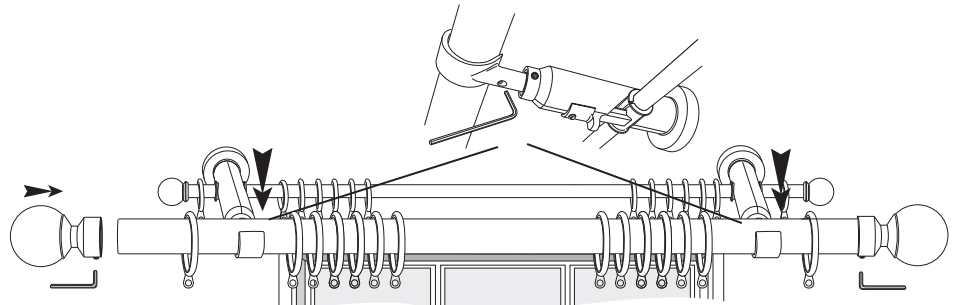
Offer the pole up to the supports and slide the trigger catch to hold it in place. Secure by tightening the grub screw on the trigger.



To assemble the 28mm pole simply slide the rings onto the pole.



Place the pole into the supports leaving one ring either end positioned between the support and finial. Using the allen key, secure the pole with the grub screw on the stem of the support.



### 3 Assemble the poles- 240/300cm

**If you need to trim the poles - see item 4 before assembling.**

To assemble the 13mm pole, remove the collar from each support by using the allen key to loosen the grub screw on each trigger. Pull back the catch to release them.

Slide the rings onto each pole.

Join poles by sliding the pole connector into the uncut end of one pole. Slide the second pole onto the pole connector taking care to push an equal length of connector into each pole.

If the pole has been cut to size, always join the uncut lengths of the pole. Pole joins should always be at the half way point of the total length.

Position the collars over the pole in line with the supports, leaving one ring between the holder and the finial to act as an end stop.

Offer the pole up to the supports and slide the trigger to hold it in place. Secure by tightening the grub screw on the trigger.

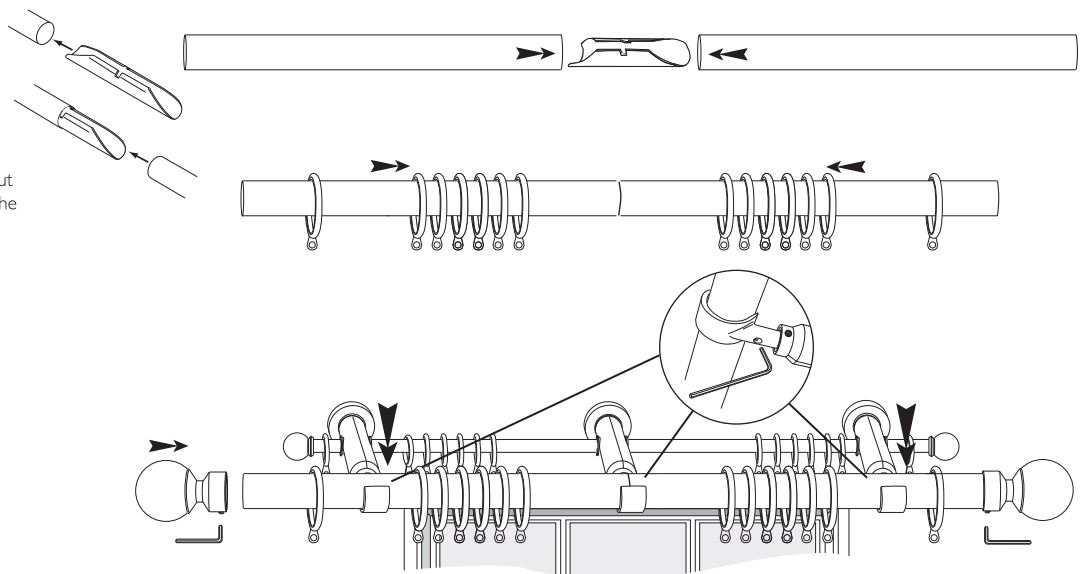
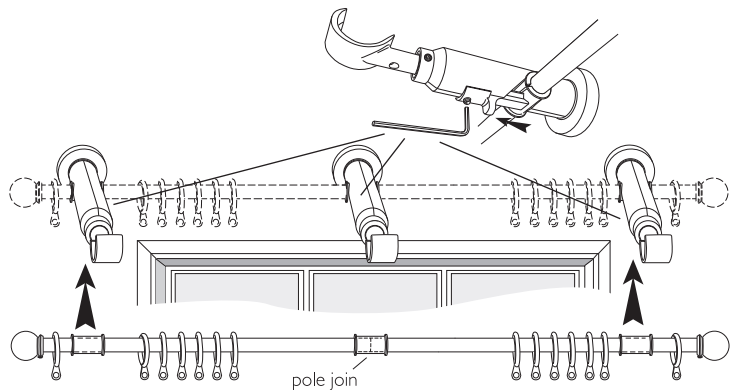
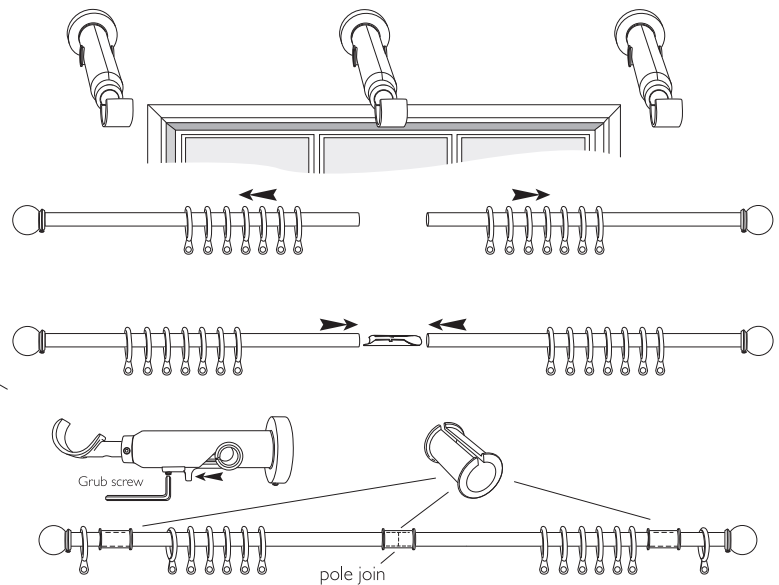
Join the 28mm poles by sliding the pole connector into the uncut end of one pole. Slide the second pole onto the pole connector taking care to push an equal length of connector into each pole.

If the pole has been cut to size, always join the uncut lengths of the pole. Pole joins should always be at the half way point of the total length.

Slide the rings onto the pole.

Place the pole into the supports with the centre join located in the centre support.

Leave one ring either end positioned between the support and finial. Using the allen key, secure the pole in place with the grub screw on the stem of the support.



### 4 Trimming the poles

Trim the poles only if required.

To trim the single poles (180cm). Remove one finials from the 13mm pole and with a fine hacksaw trim from one end. Replace the finial. Trim the larger 28mm pole from one end by the same amount to maintain the layered look when both poles are hung.

To trim the double poles (240 and 300cm) firstly remove the 13mm finials and trim an equal amount from each pole. Do not cut the pole ends where the join will be. Replace the finials onto the trimmed ends.

Trim the 28mm poles in the same way remembering to place the finials over the trimmed ends leaving the uncut ends where the join will be made.

