

28mm & 35mm Cylinder Quick Lock Wall Support Fixing Instructions

Please read carefully before beginning this installation

We recommend a professional or a person competent in DIY undertake this installation.

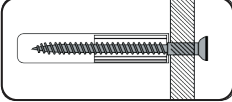
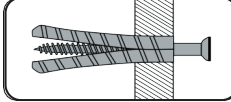
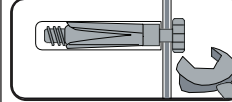
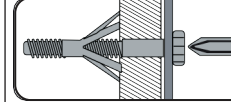
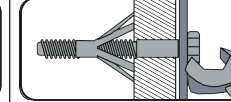
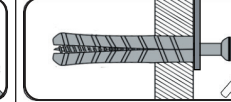
Wall fixings - This product is supplied with STANDARD wall screws and plugs.

Alternative screws and wall plugs other than those supplied with this product may be required depending on the surface you are mounting the product onto. Please ensure that you use the correct fixings that are suitable for your wall type. Refer to our wall fixing general guide below.

- Ensure you use the recommended drill bit to match the wall plug and hole size.
- Always drill the hole horizontally, do not force the drill.

- Take care when drilling high walls, ceilings and ceramic tiles. Ensure the wall plug is fitted below the tile to avoid splitting or cracking.
- Ensure the wall plugs are well fitted and are a tight fit in the drilled hole.

You can use one of the following types of wall plugs if your walls are made of brick, breeze block, concrete, stone, wood or plasterboard.

STANDARD Wall Plug	GENERAL PURPOSE Wall Plug	SHIELD ANCHOR Wall Plug	CAVITY FIXING Wall Plug	CAVITY FIXING HEAVY DUTY Wall Plug	HAMMER FIXING Wall Plug
General wall materials	Aerated or breeze block	Heavy loads	Plasterboard partitions or hollow wooden doors	Plasterboard partitions or hollow wooden doors	Plasterboard stuck wall
					
Available in various sizes and are made from plastic or wood fibre.	A general purpose plug can be used for light loads. Aerated blocks should not be used to support heavy loads, use a specialist fitting in this case.	For use with heavier loads such as televisions, speakers, satellite dishes etc.	For use with plasterboard partitions or hollow wooden doors.	For use with plasterboard partitions or hollow wooden doors.	For use with walls stuck with plasterboard. The hammer fixing allows it to be fixed to the wall rather than the plasterboard. Always check the fixing is secure to the retaining wall.

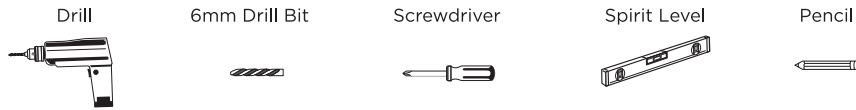
Care and Maintenance



When drilling into walls, always check there are no hidden wires or pipes. Make sure that the screws and wall plugs being used are suitable for supporting the product. Consult a qualified tradesperson if you are unsure.

Always check the fitting and location to ensure your safety. Please ensure that the head of the screws used have a diameter larger than the diameter of the hole on the wall. Regularly check the fitting of the product to ensure the wall plugs and screws have not become loose.

Tools required

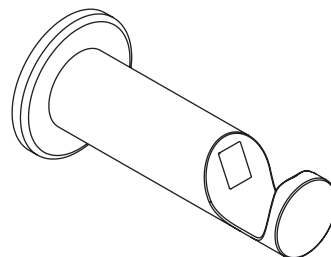
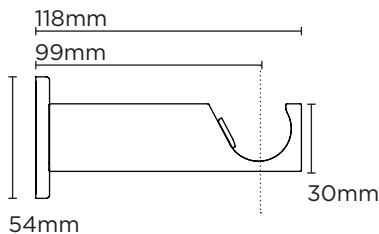


All measurements are approximate and are intended as a guide.

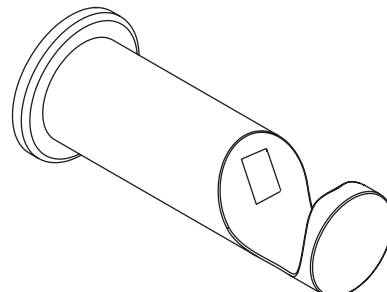
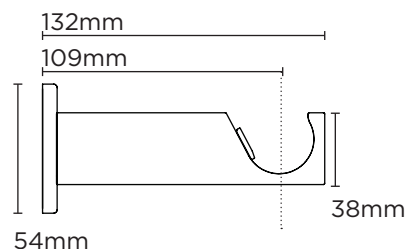
Quick lock supports feature an inner rubber lug that ensures that your curtain pole stays fixed in place without the use of grub screws and an Allen key. This plastic lug efficiently prevents the curtain pole from moving sideways when you pull the drapery. The open support design allows you to quickly remove your curtain pole and curtains when they are ready to be cleaned or replaced.

Maximum load: 5kg per support.

28mm Cylinder Quick Lock Wall Support



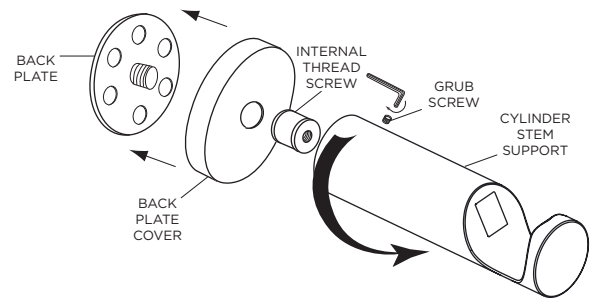
35mm Cylinder Quick Lock Wall Support



Attaching the wall support to the wall

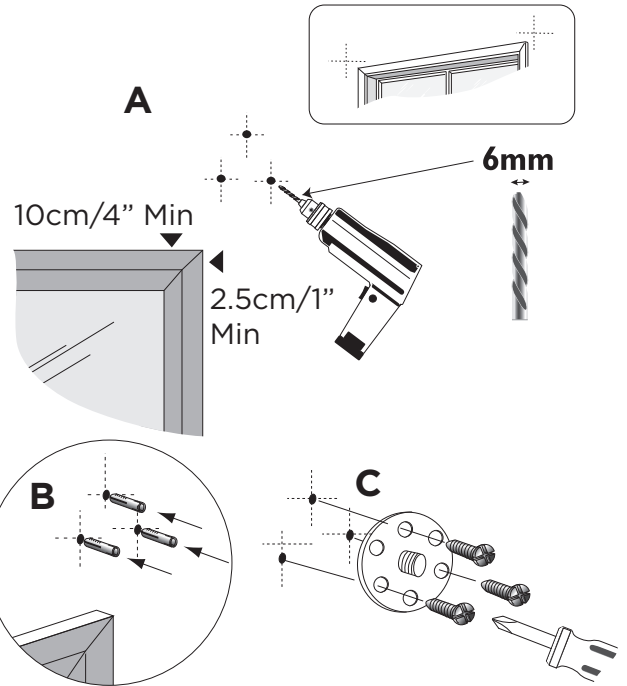
There are four parts to the wall support.

Twist the cylinder stem to release the front of the wall support from the back plate.
Undo the grub screw on the side of the support to release the internal thread screw.
Remove the back plate cover to release the wall back plate.

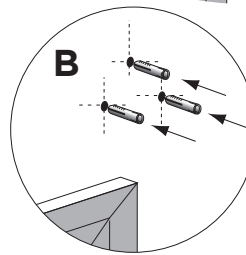


3 standard screws and 3 wall plugs are included.

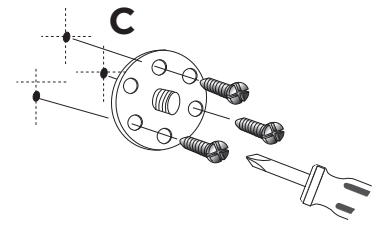
(A) Mark the position of your supports on the wall. We recommend leaving a minimum of 10cm (4") above the window frame & 2.5cm (1") at the side of the window frame. Drill the holes using a 6mm drill bit.



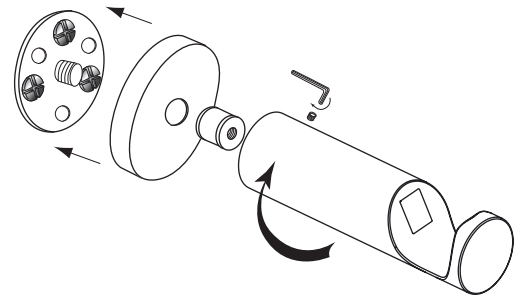
(B) Place the wall plugs into the holes and line up the support back plate.



(C) Screw the screws into place and ensure the back plate is secure.



Place the back plate cover over the back plate on the wall. Screw the internal thread screw on to the back plate screw. Attach the stem support to the thread screw and tighten the grub screw on the side to secure the wall support together.



Attaching the curtain pole to the wall supports

From above the wall supports, bring the curtain pole down into the cup of the wall supports and ensure the pole is secured in place by the rubber lugs. Remember to leave 1-2 curtain rings or eyelets on the finial side of the end supports to anchor your curtains in place.

