

16-19mm - 19-22mm Double Room Darkening Pole Fixing Instructions

Please read carefully before beginning this installation

We recommend a professional or a person competent in DIY undertake this installation.

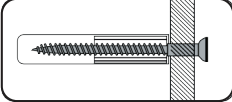
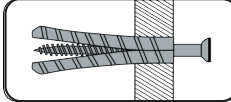
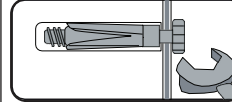
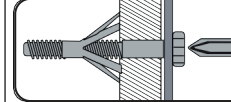
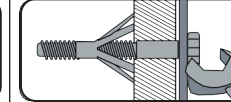
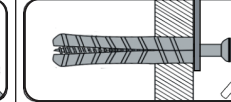
Wall fixings - This product is supplied with STANDARD wall screws and plugs.

Alternative screws and wall plugs other than those supplied with this product may be required depending on the surface you are mounting the product onto. Please ensure that you use the correct fixings that are suitable for your wall type. Refer to our wall fixing general guide below.

- Ensure you use the recommended drill bit to match the wall plug and hole size.
- Always drill the hole horizontally, do not force the drill.

- Take care when drilling high walls, ceilings and ceramic tiles. Ensure the wall plug is fitted below the tile to avoid splitting or cracking.
- Ensure the wall plugs are well fitted and are a tight fit in the drilled hole.

You can use one of the following types of wall plugs if your walls are made of brick, breeze block, concrete, stone, wood or plasterboard.

STANDARD Wall Plug	GENERAL PURPOSE Wall Plug	SHIELD ANCHOR Wall Plug	CAVITY FIXING Wall Plug	CAVITY FIXING HEAVY DUTY Wall Plug	HAMMER FIXING Wall Plug
General wall materials	Aerated or breeze block	Heavy loads	Plasterboard partitions or hollow wooden doors	Plasterboard partitions or hollow wooden doors	Plasterboard stuck wall
					
Available in various sizes and are made from plastic or wood fibre.	A general purpose plug can be used for light loads. Aerated blocks should not be used to support heavy loads, use a specialist fitting in this case.	For use with heavier loads such as televisions, speakers, satellite dishes etc.	For use with plasterboard partitions or hollow wooden doors.	For use with plasterboard partitions or hollow wooden doors.	For use with walls stuck with plasterboard. The hammer fixing allows it to be fixed to the wall rather than the plasterboard. Always check the fixing is secure to the retaining wall.

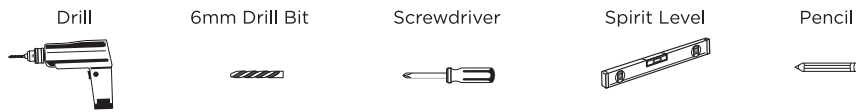
Care and Maintenance



When drilling into walls, always check there are no hidden wires or pipes. Make sure that the screws and wall plugs being used are suitable for supporting the product. Consult a qualified tradesperson if you are unsure.

Always check the fitting and location to ensure your safety. Please ensure that the head of the screws used have a diameter larger than the diameter of the hole on the wall. Regularly check the fitting of the product to ensure the wall plugs and screws have not become loose.

Tools required

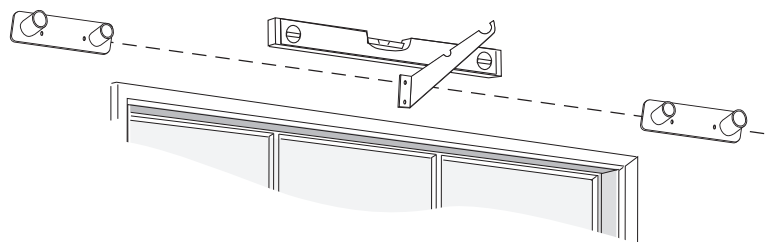


All measurements are approximate and are intended as a guide.

Parts list

Pole Length	Extendable Pole	End Support	Centre Support	End Stop Screw	Screws & Wall Plugs
130 - 210cm	2	2	1	4	6
210 - 360cm	2	2	1	4	6

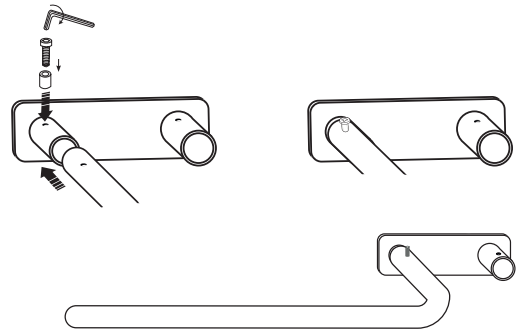
Measure the position of the wall supports and mark the drill holes for the end supports. Line the centre support so that the top screw hole lines up with the end support screw holes.



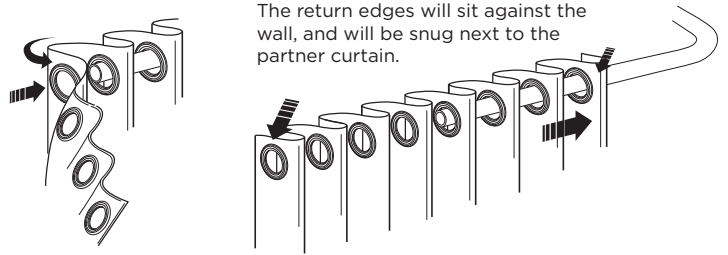
Before fixing the end supports to the wall, ensure that the smaller diameter pole connections are on the left hand side and the larger diameter connections are on the right hand side.



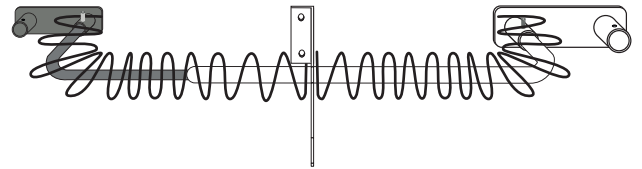
Fit the back curtain pole first using the larger side diameter pole onto the end support, ensure the pole has the screw hole pointing upwards. Secure in place using the end stop screw. To fit the end stop screw mount the pole on the support and place the plastic part of the end stop screw over the screw hole. Screw the end screw into the plastic part and into the hole.



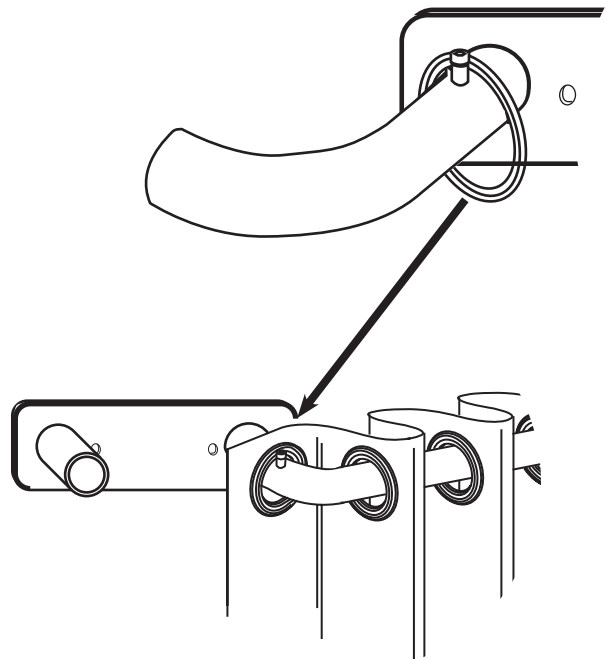
Hang your eyelet curtain onto the pole.



Once both of your eyelet curtains are on the curtain pole, extend the pole to enable you to fit and secure the smaller diameter pole on the left hand side.



Once both of your eyelet curtains are on the curtain pole, extend the pole to enable you to fit and secure the smaller diameter pole on the left hand side.



Repeat the same steps to install the front curtain pole.