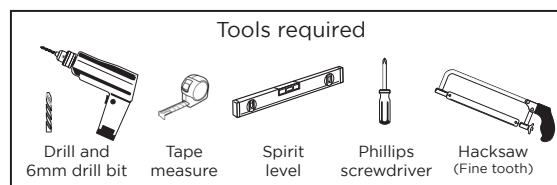


Connect Cassette Roman Blind Kit Fixing Instructions

Please read carefully before commencing.

We recommend a professional or a person competent in DIY undertake this installation. These instructions are a guide only.

Please note: Additional fasteners other than those sent with this product may be required depending on the mounting surface. Wall board and plaster walls require the use of anchors such as expansion or toggle bolts. Brick, tile and stone require special plugs and drill bits. Remember to always pre-drill holes in wood to avoid splitting to the wood.



PARTS LIST													
Head rail width	Pre-corded head rail	Cam lever support	Connect pulley house	Twist & lock end cap	Spindle	Roman rods	Bottom weight bar	Snap on cord toggle	Loop tape	Pocket tape	Wall screws & plugs	Cutting aid	Allen key
60cm	1	2	1	1	2	5	1	4	0.61m	3.1m	4	1	1
90cm	1	3	1	1	3	5	1	6	0.91m	4.6m	6	1	1
120cm	1	3	1	1	3	5	1	6	1.21m	6.1m	6	1	1
150cm	1	4	1	1	4	5	1	8	1.51m	7.6m	8	1	1
180cm	1	4	1	1	4	5	1	8	1.81m	9.1m	8	1	1
210cm	1	5	1	1	5	5	1	10	2.11m	10.6m	10	1	1
240cm	1	6	1	1	6	5	1	12	2.41m	12.1m	12	1	1
300cm	1	7	1	1	7	5	1	14	3.01m	15.1m	14	1	1

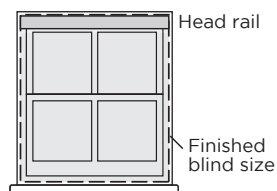
1 Fabric requirements for your blind

1A Recess fit - Measure the width and drop of your window

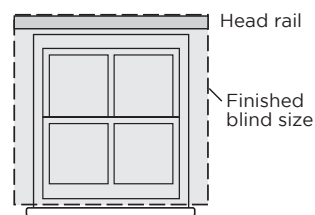
1B Wall fit - Measure the drop of the window.



1A - Recess fit



1B - Wall fit

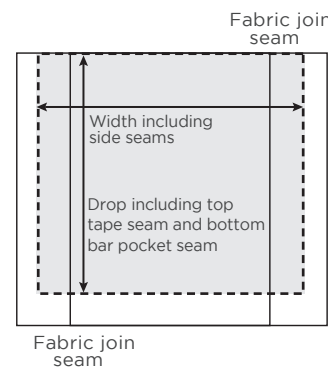
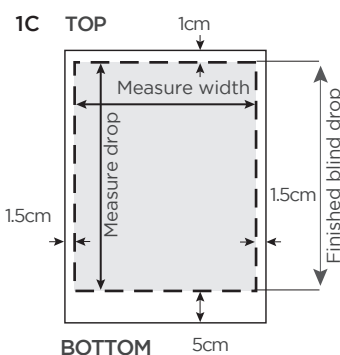


1C Using the guides shown opposite, add the measurements to your finished blind measurements taken.

On wider blinds, that are more than a fabric width wide, join the fabric so that the blind will have seams an equal distance from the centre of the blind.

Mark the blind size including the seams with chalk.

Trim the fabric to size.



2 Sewing the side seams

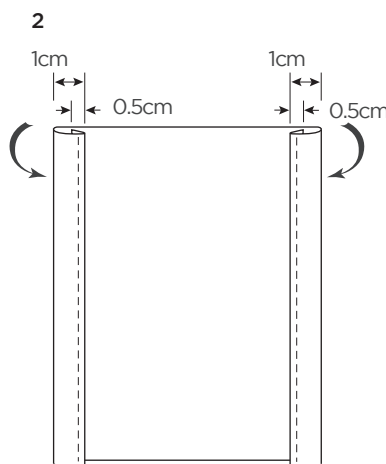
Working on the back of the fabric, fold the side of the fabric under 0.5cm and then over 1cm to form a seam. Sew down the inner edges on both sides.

3 Stitching the loop tape to the top of blind

Remove the loop tape from the head rail.

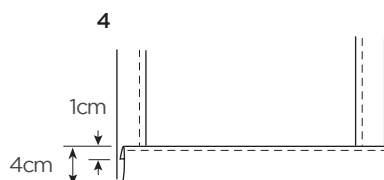
3A Fold over the top of the fabric 1cm.

3B Place the loop tape over the fold leaving a 0.5cm gap between the tape and the top of the fold. Sew the tape into place with two rows of stitches. A row at the top of the loop tape and a row at the bottom.



4 Sewing the bottom bar pocket

Turn over the bottom of the fabric 1cm then fold over 4cm to create a pocket, as shown opposite. Stitch along the top edge to hem the pocket.

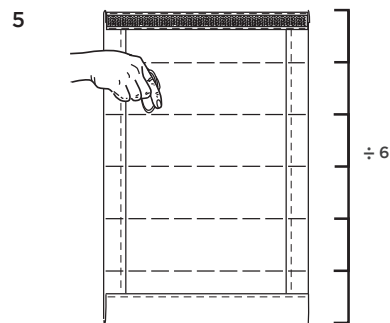


5 Marking the tape positions

Divide the distance between the top and bottom of the blind by 6 and mark the positions at both sides of the fabric. With tailors chalk, draw a faint line across the blind.

Note: Ensure the lines are parallel before sewing the blind in step 6.

You may wish to change the positions of the tapes as it is a personal preference.



6 Sewing the pocket tape to the fabric

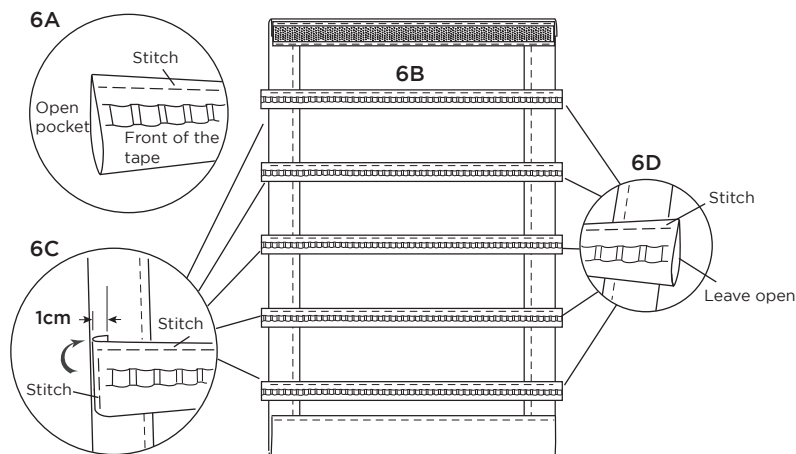
6A Rotate the pocket tape so that it is in the upright position, with the rear large pocket at the bottom of the tape, and the small strip of pockets facing upwards, as shown opposite.

Only trim the blind tapes and rods if required.

6B Measure and trim the 5 lengths of tape to the blind width plus an extra 1cm at either ends of the seams.

6C Place the length of tape onto the chalk marks and turn one side of each of the tapes in 1cm to form a hem on the tapes.

6D Sew the tapes to the fabric with a row of stitching above the pocket area, leaving one pocket end open, these will be hemmed after the rods have been inserted.

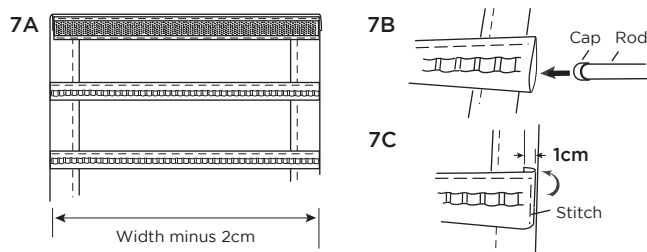


7 Inserting the rods into the pocket tape

7A Remove the rod cap and trim the rods 2cm shorter than the blind width. Replace the rod cap.

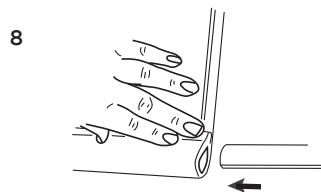
7B Insert the rods into the open ends of the tape pockets.

7C Fold the end of the pocket tape under 1cm and stitch the hem down the side.



8 Inserting the bottom weight bar

Trim the bottom bar to the same width as the Roman rods, 2cm shorter than the blind width. Insert the bottom bar into the bottom pocket of the blind fabric. Place a tack stitch at each end of the pocket to hold the bottom bar in place.



9 Positioning the head rail

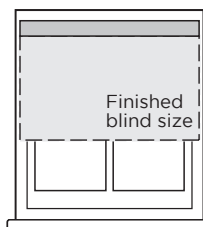
Note: Additional wall plugs and screws, other than the ones supplied with this blind kit, may be required.

9A Inside the recess - Decide the position of the head rail so that it will be clear of any window latches and fixtures. If you need to reduce the width of the head rail to fit the recess, this should be done before assembling. See trimming the head rail, step 10.

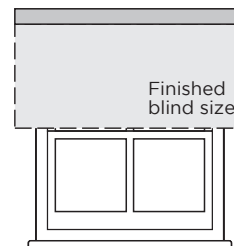
9B Wall fit - Decide the position of the head rail so that the blind fabric overlaps the window recess on both sides equally. We advise a minimum of 5cm overlap on each side.



9A - Recess fit

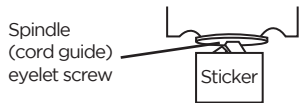


9B - Wall fit



10 Trimming the head rail

The spindle (cord guide) eyelet screws are covered with stickers. **DO NOT REMOVE THESE STICKERS.** These stickers are there to ensure that no cords are accidentally fed through these eyelet screws. Feeding cords through these eyelet screws will stop the blind from functioning correctly.



DO NOT FEED ANY CORDS THROUGH THE SPINDLE (CORD GUIDE) EYELET SCREWS.

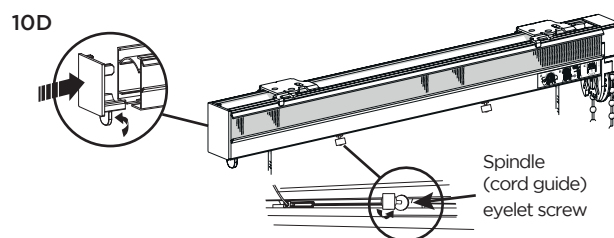
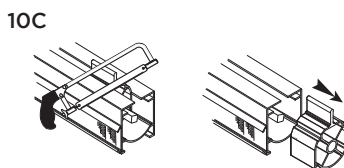
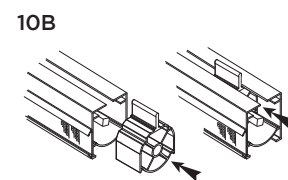
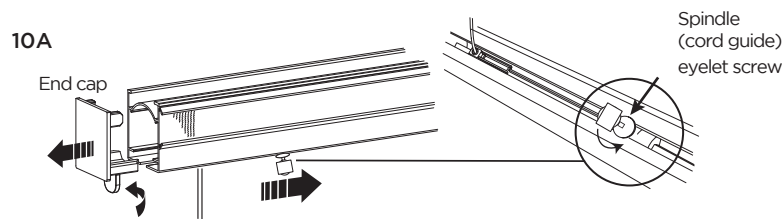
Tools required for cutting the head rail: Fine toothed hacksaw.

10A Twist and unlock the end cap and remove it from the head rail. Twist and unlock the end (cord guide) eyelet screw, slide the spindle out of the way up the head rail then twist and lock the eyelet screw into place.

10B With the head rail upside down, insert the cutting aid into the head rail at the point where you will be cutting the head rail.

10C Using the cutting aid edge to guide you, carefully trim the head rail with a fine toothed hacksaw. Cut through the inner bar as well as the head rail casing. When you are finished trimming the head rail, remove the cutting aid.

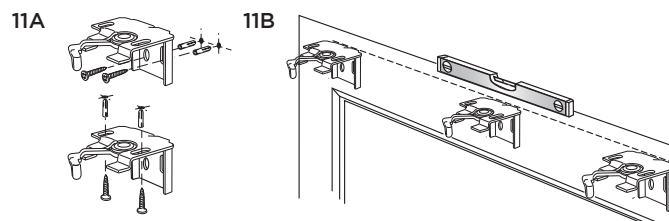
10D Unscrew and reposition the end spindle (cord guide) eyelet screw. Tighten the screw to secure the spindle into place.



11 Fitting the wall supports

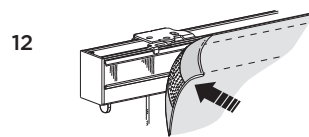
11A The supports are designed for wall or ceiling fixing.

11B Mark through the screw holes the position for the supports making sure they are level and in line. With the supports removed, drill the screw holes. Using suitable wall plugs and screws for your wall, fix the supports in place.



12 Attaching the fabric to the head rail

Line up the loop tape on the fabric with the hook tape on the head rail and press firmly to secure the fabric in place.

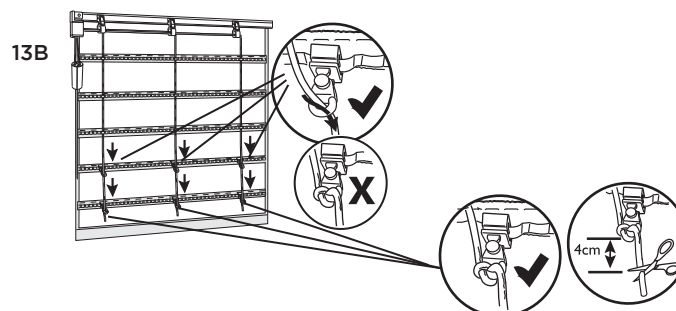
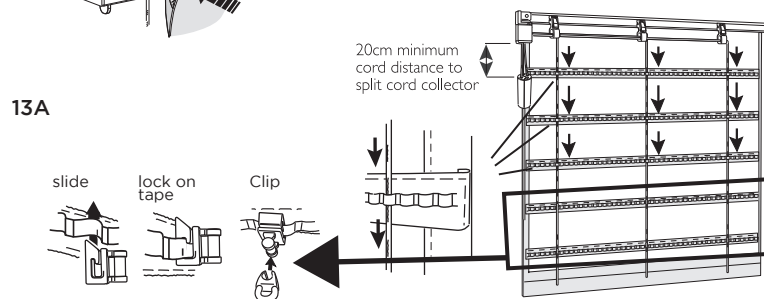


13 Cording the blind

To help aid assembling the head rail is pre-corded.

13A Working vertically from where each cord will drop from the spindles, thread the cord through the pocket tape. For the last two rows of pocket tape, thread two snap on toggles onto each cord, see diagram opposite.

13B Thread the cords down through the eyelet of the snap on toggles on the last two rows of the pocket tapes. Do not allow the cords to become twisted. Adjust the snap on toggles so that they all are equally tensioned and level. On the bottom row only, knot the cords onto the snap on toggle eyelets. Trim any excess cord to a minimum of 4cm. Should the cords become detached, follow the above procedure to reattach them.

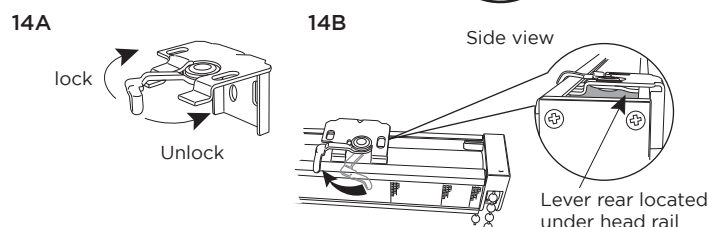


14 Hanging the head rail

To help aid assembling the head rail is pre-corded.

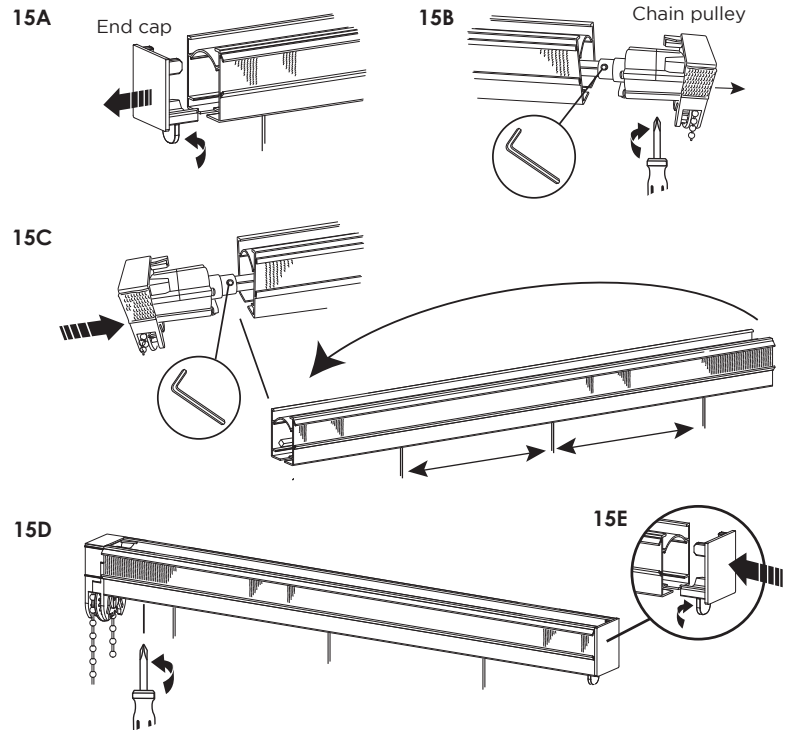
14A With the cam lock supports in the unlocked position, mount the head rail onto the supports by resting the front lip of the head rail onto the front of the supports.

14B Secure the head rail by sliding the support lever into the locked position.



15 Converting to left-hand draw

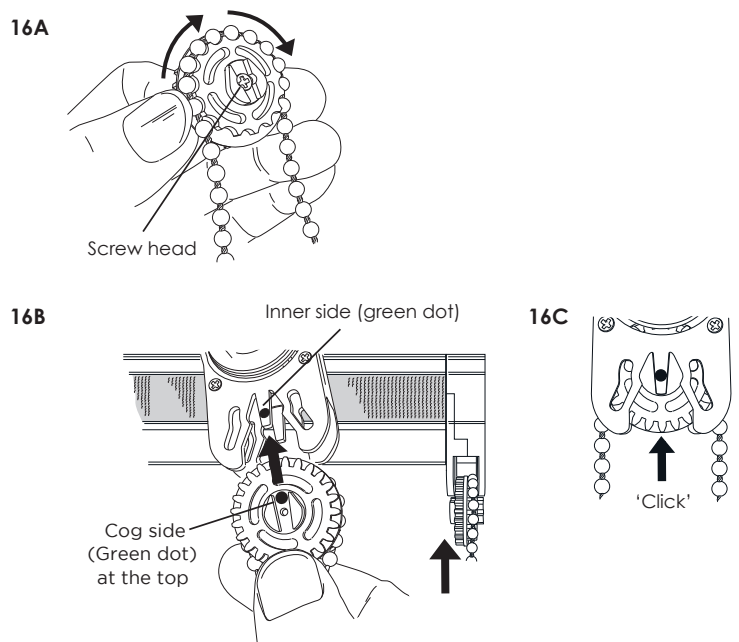
- 15A Twist and unlock the end cover to removed the end cap.
- 15B Unscrew the small grub screw underneath the pulley housing then slide out the pulley housing to access the small grub screw attached to the inner bar. Loosen the grub screw to release the pulley housing.
- 15C Push the pulley housing into the opposite end of the head rail. Secure the grub screw on the inner bar. Reposition the cord spindles if required.
- 15D Secure the pulley house into the head rail by tightening the small grub screw underneath.
- 15E Slide the end cap into the opposite end of the head rail and twist and lock to secure.



16 Re-installing the connect pulley housing release wheel

This Roman blind is installed with a connect pulley housing which releases the pull chain in the event of a child becoming entangled. Should the chain be released, please read these instructions carefully before re-installing. Children can be strangled if the connect pulley housing is not properly installed. Use of safety devices help reduce the risk of strangulation but can not be considered entirely fool proof.

- 16A Place the chain around the pulley wheel on the side with the screw head showing.
- 16B Holding the chain in place, position the cog side of the pulley wheel into the inner side of the connect pulley housing (you will see a green dot) Make sure the green dot, on the centre of the release wheel, is at the top when inserted.
- 16C Press the pulley wheel firmly into the housing until it clicks into place.



Please note: The lowest part of the chain must be installed a minimum of 150cm from floor level.

WARNING

Young children have been strangled by loops in pull-cords, chains and tapes, and cords that operate the product. To avoid strangulation and entanglement, keep cords out of the reach of young children. Cords may become wrapped around a child's neck. Move beds, cots and furniture away from window covering cords. Make sure chains do not twist and create a loop. Children can strangle if the chain safety guide device is not installed. Always use this device to keep cords out of reach of children.



Keep out of the reach of young children.
Small parts - choking hazard.

Batch code:

Retain these instructions for future reference.