

28mm Room Darkening Support Fixing Instructions

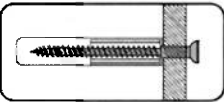
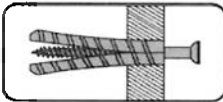
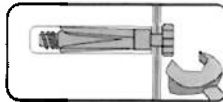
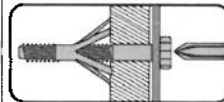
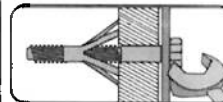
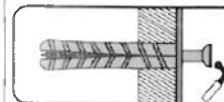
Please read these instructions carefully before you begin.

Wall fixings - This product is supplied with STANDARD WALL SCREWS AND PLUGS.

Alternative screws and wall plugs other than those supplied with this product may be required depending on the surface you are mounting the product onto. Please ensure that you use the correct fixings that are suitable for your wall type. Refer to our wall fixing general guide below.

- Ensure you use the recommended drill bit to match the wall plug and hole size.
- Always drill the hole horizontally, do not force the drill.
- Take care when drilling high walls, ceilings and ceramic tiles. Ensure the wall plug is fitted below the tile to avoid splitting or cracking.
- Ensure the wall plugs are well fitted and are a tight fit in the drilled hole.

You can use one of the following types of wall plugs if your walls are made of brick, breeze block, concrete, stone, wood or plasterboard.

STANDARD Wall Plug	GENERAL PURPOSE Wall Plug	SHIELD ANCHOR Wall Plug	CAVITY FIXING Wall Plug	CAVITY FIXING HEAVY DUTY Wall Plug	HAMMER FIXING Wall Plug
General wall materials	Aerated or breeze block	Heavy loads	Plasterboard partitions or hollow wooden doors	Plasterboard partitions or hollow wooden doors	Plasterboard stuck wall
					
Available in various sizes and are made from plastic or wood fibre.	A general purpose plug can be used for light loads. Aerated blocks should not be used to support heavy loads, use a specialist fitting in this case.	For use with heavier loads such as televisions, speakers, satellite dishes etc.	For use with plasterboard partitions or hollow wooden doors.	For use with plasterboard partitions or hollow wooden doors.	For use with walls stuck with plasterboard. The hammer fixing allows it to be fixed to the wall rather than the plasterboard. Always check the fixing is secure to the retaining wall.

Care and Maintenance






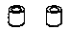



When drilling into walls, always check there are no hidden wires or pipes. Make sure that the screws and wall plugs being used are suitable for supporting the product. Consult a qualified trades person if you are unsure. Always check the fitting and location to ensure your safety. Please ensure that the head of the screws used have a diameter larger than the diameter of the hole on the wall. Regularly check the fitting of the product to ensure the wall plugs and screws have not become loose.

Tools required



BEFORE INSTALLING THIS PRODUCT.
Read all the instructions carefully.
All measurements are approximate and are intended as a guide.

Components

Return support	Grub Screw	Eyelet Ring End Stop	Eyelet Ring End Stop Coiler	Wall Screw	Wall Plug	Allen Key
						
2	2	2	2	6	6	1

Installing the room darkening supports

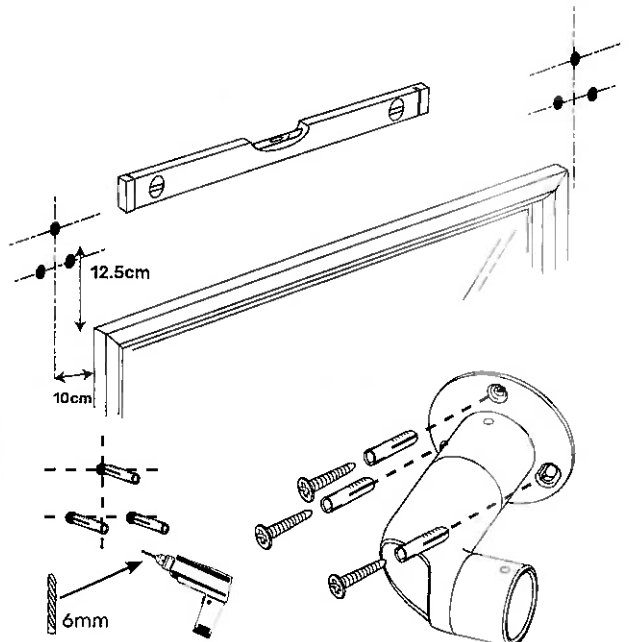
Step 1

Mark and drill the screw positions, making sure they are level.

As a guide, we recommend that you mark the edge of the brackets at least 10cm from the edge of the window frame or recess, and at least 12.5cm above the window frame or recess. Please check that your eyelet rings on your curtains are high enough above the window frame, or recess, to block out light. Allow at least 10cm of pole to overhang the window frame at each side.

Using the correct fittings for your wall type, screw the supports to the wall.

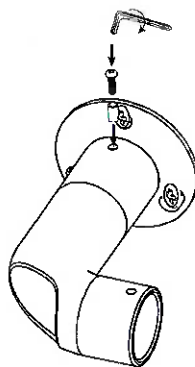
Note: Your existing curtain pole may have a centre support. If so, adjust the position of this centre support to suit the positions of your room darkening supports.



Illustrations are intended as a guide only. Component designs may vary in style to that shown.

Step 2

Insert the eyelet ring end stops into the plastic collars at the top of each support. Tighten using the Allen key.



Step 3

Remove the finials from your curtain pole.

(A) Hang your eyelet curtains onto your existing curtain pole.

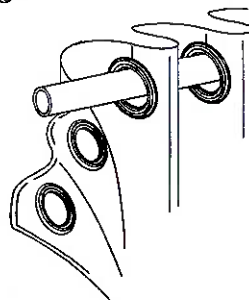
(B) Slide the last two eyelet curtain rings over the room darkening support. Anchor the last eyelet ring over the eyelet ring end stop on the top of the end support.

(C) Slide the curtain pole through the wall support. Push the pole through the support, just enough so that it allows you to slide the pole back through the wall support on the opposite side. Remember to allow enough pole length on each side to reattach your finials.

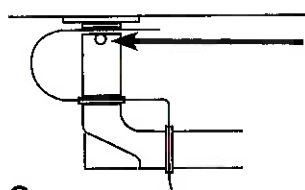
(D) Once your pole is through both the end supports and the end eyelet curtain rings are anchored in place, tighten the grub screws which secure the pole in place.

If you have an existing centre support on your curtain pole, remember to secure the pole to this support too.

A

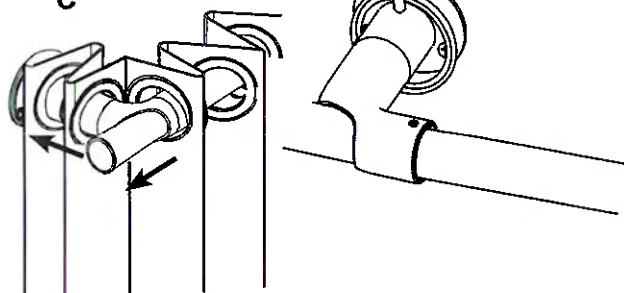


B

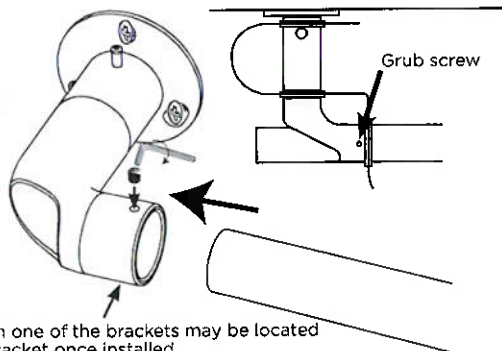


Lock the last curtain eyelets in place behind this eyelet ring end stop

C



D



Grub screw

The grub screw on one of the brackets may be located underneath the bracket once installed

Step 4

Attach the finials to the curtain pole.

